



Underground Machinery Products

bendtechgroup.com.au

Bend-tech.
BIGGER THAN BUSINESS

ABOUT BEND-TECH

We deliver sustained value by providing cutting edge solutions through collaboration and innovation. For more than 30 years we have delivered intelligent design and custom certified products and services to the Mining, and Mobile Equipment sectors across Australia and around the world. We have achieved this through a deep understanding

of our customers and their requirements as well as innovative and industry leading design, engineering and construction. Our handrails, components, platforms, stands and storage equipment is designed to reduce downtime and make maintenance on your mobile equipment safe, efficient and easy.



“ Making maintenance on-site safe, efficient and easy ”

Index

1
ABOUT
BEND-TECH

2 - 3
INDEX

4 - 5
Caterpillar
R1300G Loader

6 - 9
Caterpillar
R1600G/H Loader

10 - 18
Caterpillar
R1700G Loader

20 - 25
Caterpillar
R1700K Loader

26 - 40
Caterpillar
R2900 / R3000 Loader

42 - 46
Caterpillar
AD30 Truck

48 - 53
Caterpillar
AD45 Truck

54 - 59
Caterpillar
AD55 Truck

60 - 66
Caterpillar
AD60 Truck

68 - 73
Caterpillar
AD63 Truck

74 - 76
Epiroc
MT42 Truck

78 - 80
Epiroc
MT2010 Truck

82 - 87
Epiroc
MT5020 / MT6020 Truck

88 - 97
Epiroc
MT54 / MT65 Truck

98 - 100
Epiroc
ST1030 Loader

102 - 104
Epiroc
ST14 Loader

105
Epiroc
Boomer M

106
Epiroc
Simba E7 Drill

Index

108 - 110

Sandvik
LH307 Loader

112 - 115

Sandvik
LH514 Loader

116 - 120

Sandvik
LH517 Loader

122 - 132

Sandvik
LH517i Loader

134 - 143

Sandvik
LH621 Loader

144 - 150

Sandvik
LH621i Loader

152 - 161

Sandvik
TH551 / i
TH663 / i Truck

162 - 166

Sandvik
RHINO R100H

168 - 169

Sandvik
DL421 Drill

170 - 173

Sandvik
DD421 Drill

174 - 175

Sandvik
DD432i / DD422i

176 - 178

Volvo
L120F

180 - 182

Elphinstone
WR810 Water Cannon

184 - 190

Height Adjustable
Platforms

185 - 186

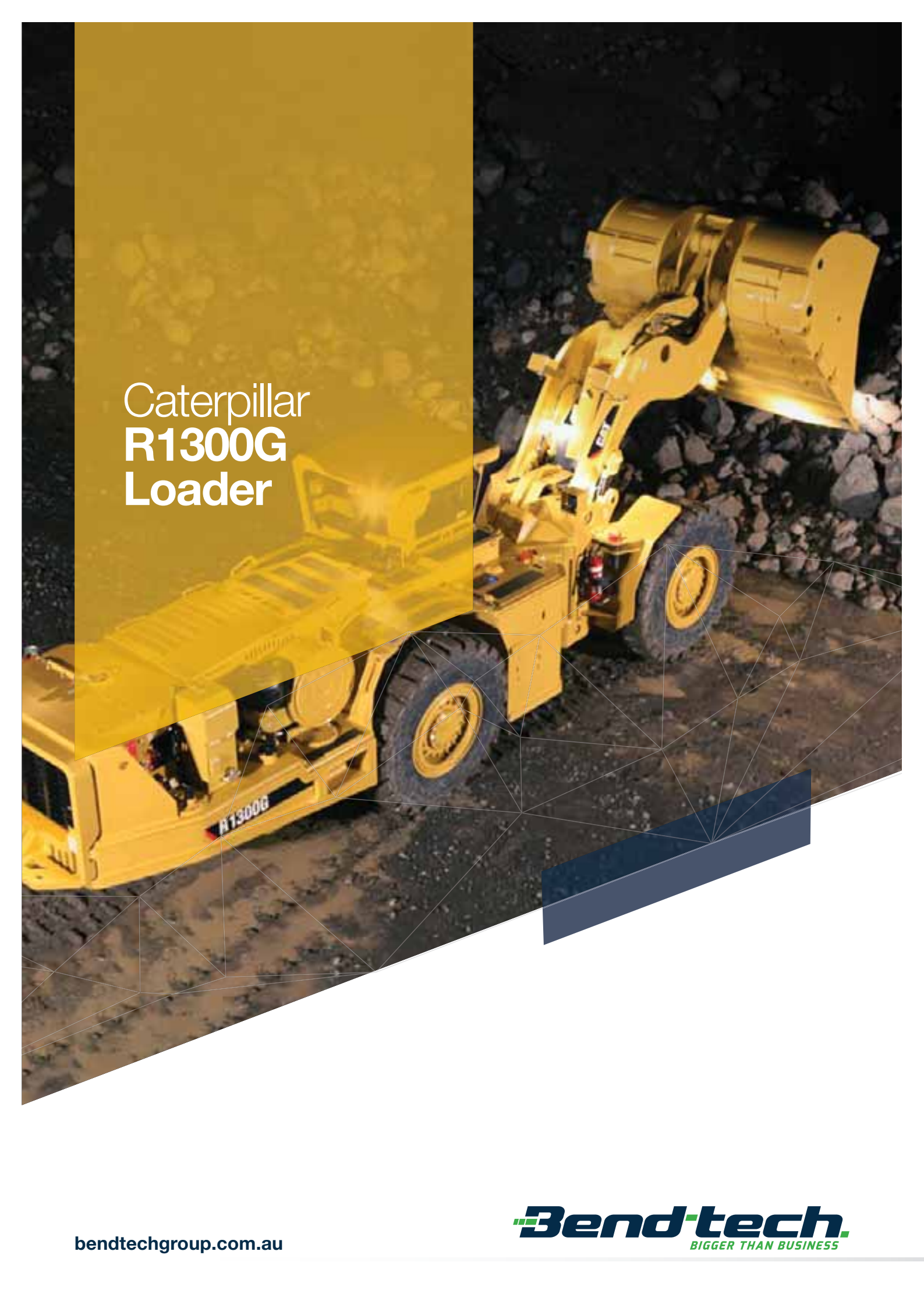
Giraffe G20

187

Monkey MX21

188 - 189

Squirrel Series
VRSQ-14 and VRSQ-17

A yellow Caterpillar R1300G wheel loader is shown in a dark, rocky environment, illuminated by its headlights. The loader is positioned diagonally, facing towards the upper right. A large, semi-transparent yellow rectangle is overlaid on the left side of the image, containing the text 'Caterpillar R1300G Loader'. The loader's bucket is raised, and it appears to be in the process of loading or unloading material. The background is a dark, textured surface of rocks and gravel. A dark blue, trapezoidal shape is located in the bottom right corner of the image area.

Caterpillar R1300G Loader

Caterpillar R1300G Loader

Caterpillar R1300G Fixed Front Fenders

Our Caterpillar R1300G Fixed Front Fenders are designed and built to withstand the harshest underground mining environments.

Construction: Heavy-duty steel
Colour: CAT Yellow

Features:

- Hi-spec surface treatment finish in machine colour over a primary zinc coating for enhanced protection
- Stocked and ready for immediate despatch
- Certified and compliant with Australian Standards



Recovery Hook

Welded to the rear to provide tow assistance when required.

Construction: Heavy-duty steel

- No paint or powder used for ease of welding/fitment

Part No. 5602282



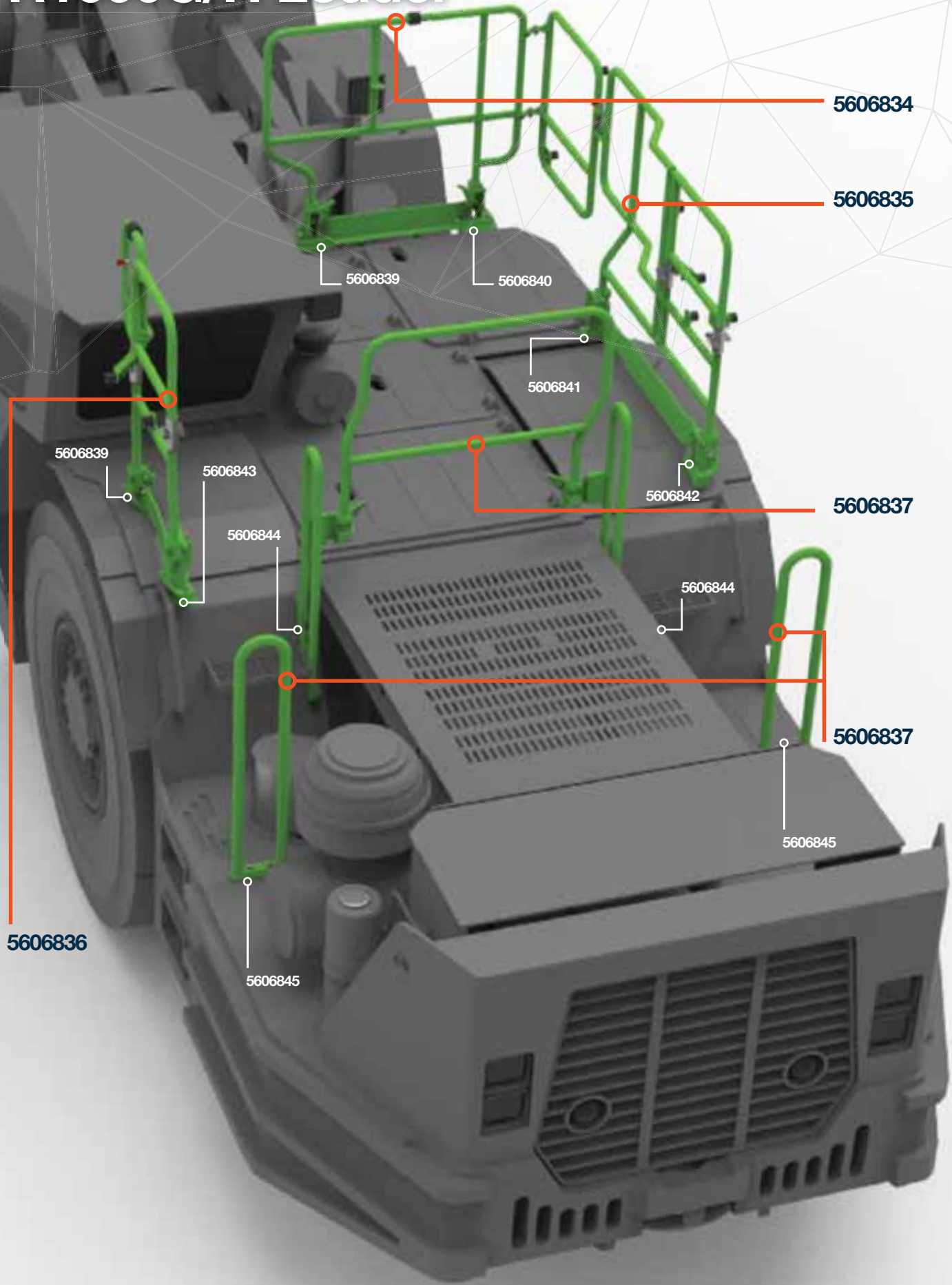
A photograph of a yellow Caterpillar R1600G/H wheel loader operating at night in a quarry or mine. The loader is filled with large, dark rocks. A worker is visible in the cab, illuminated by the machine's headlights. The scene is dark, with the loader's lights providing the primary illumination. A large, semi-transparent yellow rectangle is overlaid on the left side of the image, containing the product name. A dark blue geometric shape is overlaid at the bottom right of the image.

Caterpillar
R1600G/H
Loader

bendtechgroup.com.au

Bend-tech.
BIGGER THAN BUSINESS

Caterpillar R1600G/H Loader



Caterpillar R1600G/H Loader



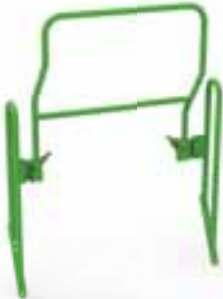
Handrail Front 5606834



Handrail RH 5606835



Handrail LH 5606836



Handrail Middle 5606837



Handrail RH Rear 5606838
(2 Required)



Mount Plate 1 5606839
(2 Required)



Mount Plate 2 5606840
(1 Required)



Mount Plate 3 5606841
(1 Required)



Mount Plate 4 5606842
(1 Required)



Mount Plate 5 5606843
(1 Required)



Mount Plate 6 5606844
(2 Required)



Mount Plate 7 5606845
(2 Required)



Caterpillar R1600G/H Loader

Certified / Compliant
with AUS Standards



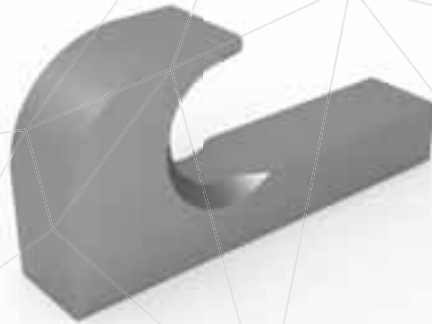
Recovery Hook

Welded to the rear to provide tow assistance when required.

Construction: Heavy-duty steel

- No paint or powder used for ease of welding/fitment

Part No. 5602282



Caterpillar
R1700G
Loader





5001780

5001777

5002776

5003776

5001779

5001778

5000330

Caterpillar R1700G Loader



Handrail 5001777

OEM No. 453-8707 (OLD 318-7892)



Handrail 5002776

OEM No. 453-8708 (OLD 318-7901)



Handrail 5001778

OEM No. 453-8698 (OLD 318-7896)



Handrail 5001779 (Mounts included)

OEM No. 453-8709 (OLD 318-7885)



Handrail 5001780

OEM No. 453-8706 (OLD 318-7853)



Handrail 5000330 (2 Required)

OEM No. 230-9812



Kickplate 5003776

OEM No. 311-5486

Caterpillar R1700G Loader

Certified / Compliant
with AUS Standards



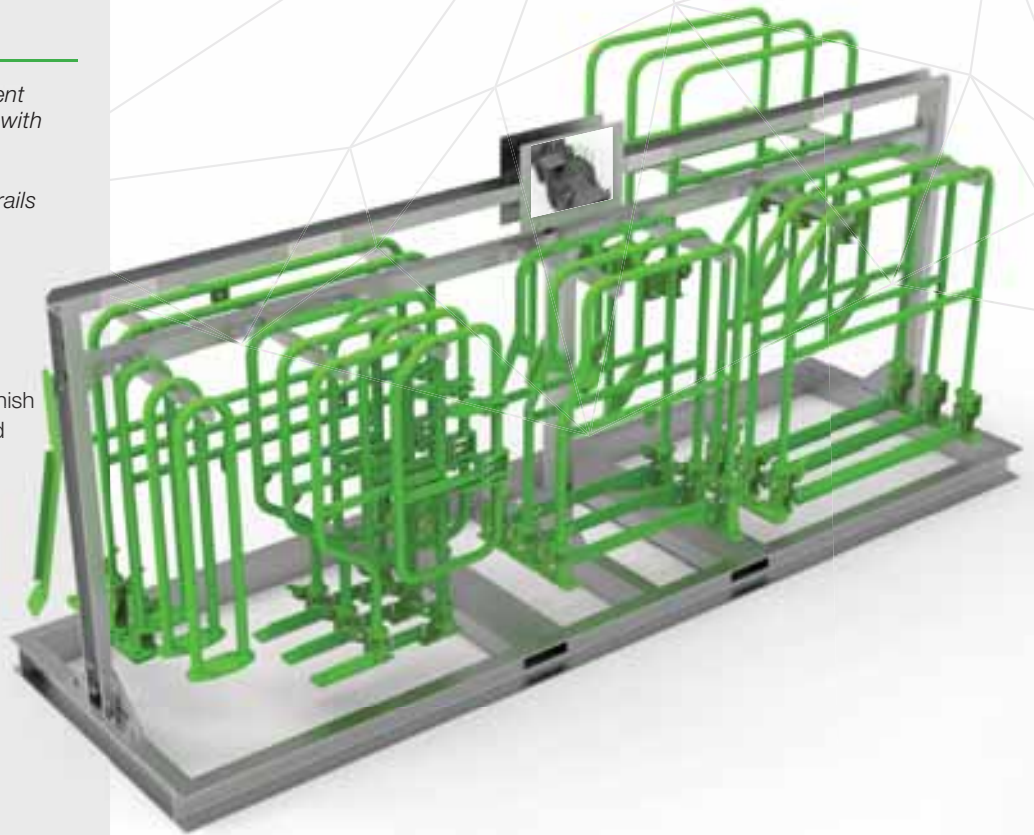
CAT R1700G Handrail Storage Rack

Suits Bend-tech's OEM replacement handrails. Certified and compliant with Australian Standards. This handrail storage rack allows sites to access replacement handrails quickly and easily, without waiting for freight.

Construction: Heavy-duty steel

Features:

- Heavy-duty hot dip galvanised finish
- All required signage incorporated
- Rack capacity: 3 complete sets
- Handrails not included
- Forklift slots



Part No. 5504255

CAT R1700G Fall Arrestor Tether Kit

A solution to provide operators/fitters with a tethering kit which they could lock onto, while erecting the handrails on the machine.

Features:

- Tether kit is pre-rated to arrest the fall of an operator
- Tether mechanism locks when sudden movement is detected (e.g. losing balance), preventing tripping and/or falling from machine
- Uses existing bolts/fittings on the roof and engineered and certified brackets for the retractable fall arrest tethers to attach to

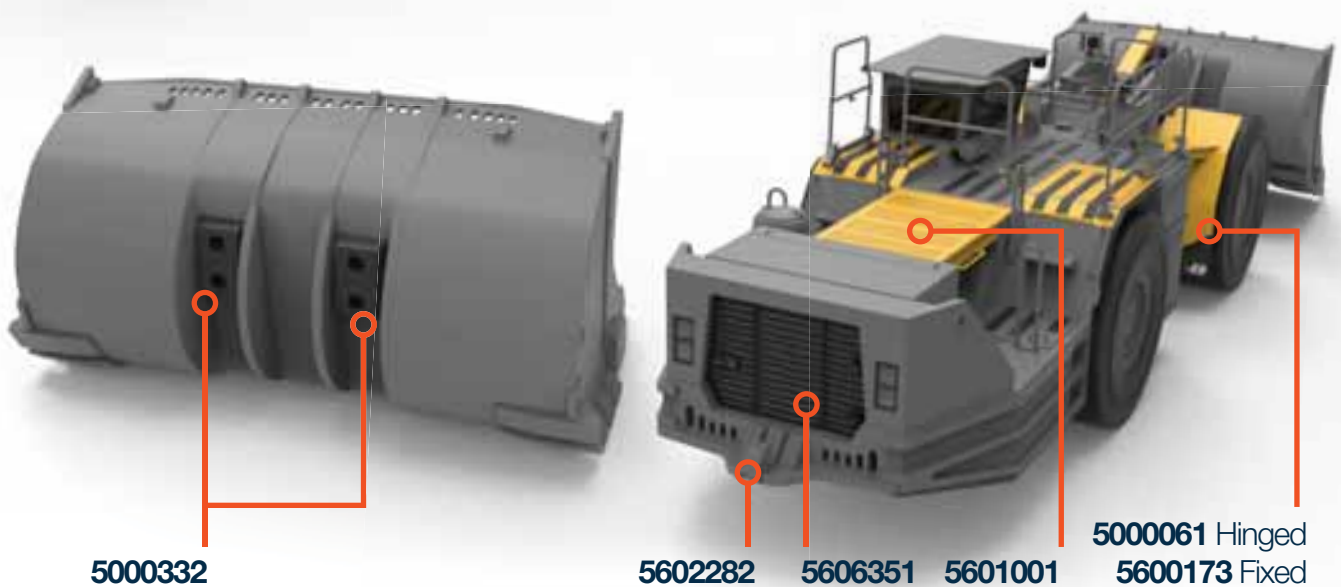
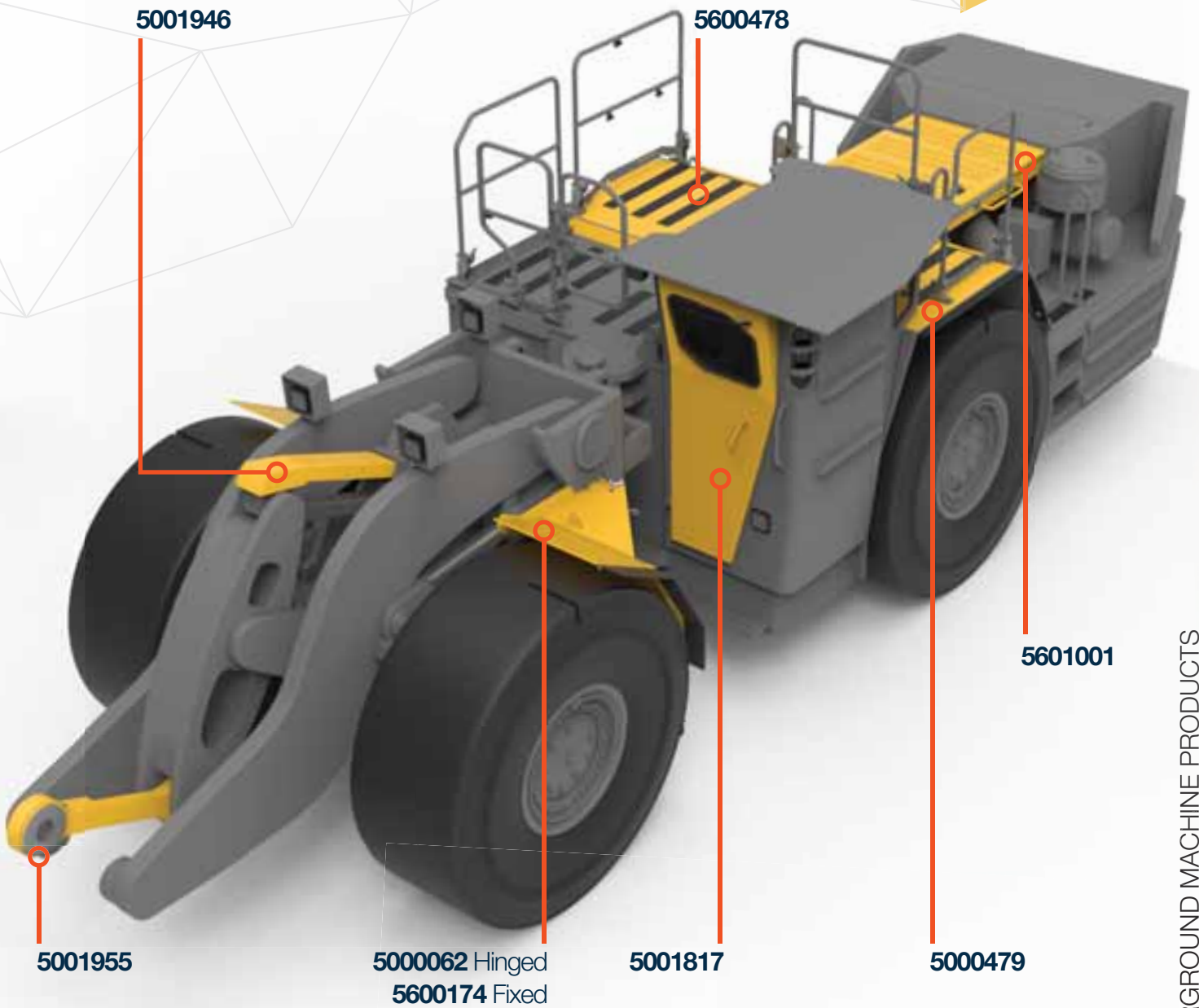
Includes:

- Carabiners
- Tether point
- Retractable fall arrest block



Part No. 5504908

Caterpillar R1700G Loader



UNDERGROUND MACHINE PRODUCTS



BEND-TECH

Caterpillar R1700G Loader



CAT R1700G Dog Bone / Tilt Link

Bend-tech's dog bone components are precision manufactured and machined from high tensile steel, with hardened and ground bushes. To suit OEM No.186-9866

Colour: CAT Yellow

Features:

- Grease channel machined into the dog bone body
- Direct OEM replacement
- Supplied in enclosed transport crate
- Supplied with seals and bushes



Part No. 5001955

CAT R1700G Door

*To suit Caterpillar R1700G Machines
OEM No.291-0662*

Colour: CAT Yellow

Features:

- Heavy duty construction
- Precision manufactured for fast fit up to your machine



Part No. 5001817

Caterpillar R1700G Loader



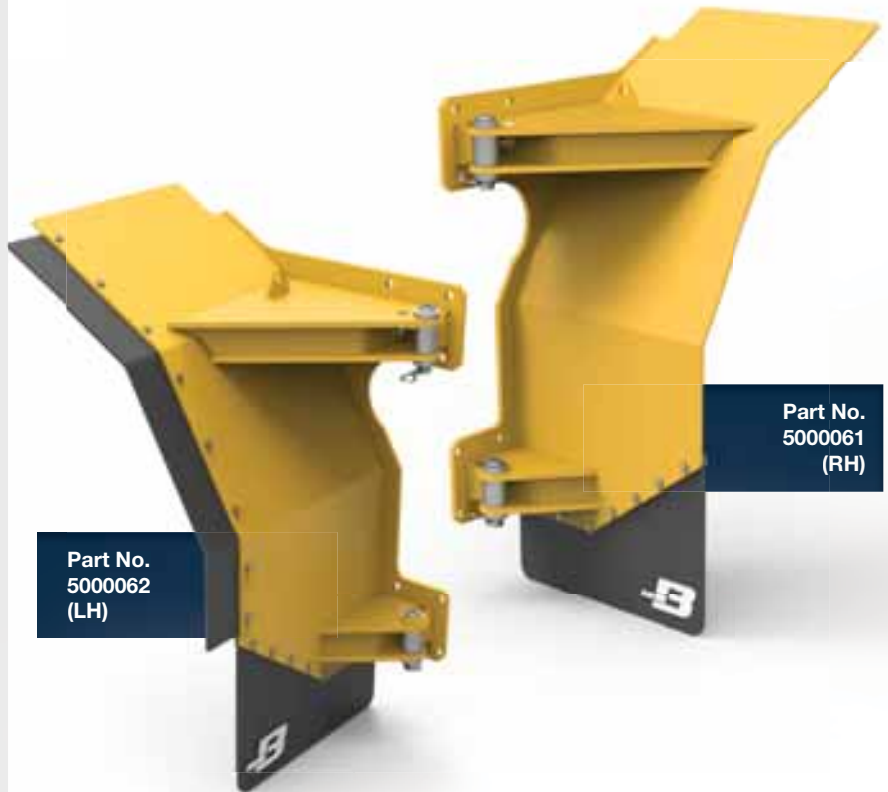
CAT R1700G Hinged Fenders

Made to suit CAT R1700G Loaders, our fender acts as a wheel guard and is designed to withstand the harshest underground mining environments.

Colour: CAT Yellow

Features:

- Heavy duty hinged folding system
- Double pin design to eliminate sagging
- Eliminates requirement to remove fender to access components positioned behind the fender Tilt Link
- Stainless pins with greasing points
- Suitable for use with tyre chains



CAT R1700G Fixed Fenders

Direct OEM replacement for CAT R1700G Fenders.

Colour: CAT Yellow

Features:

- Heavy duty construction
- Precision manufactured for fast fit up to your machine

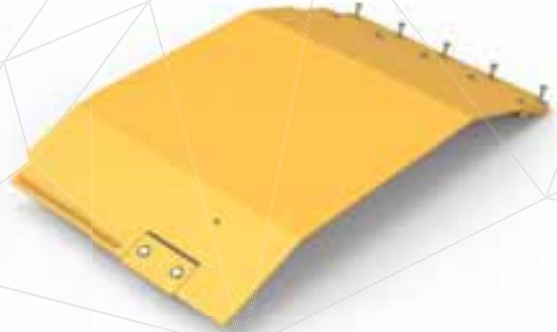
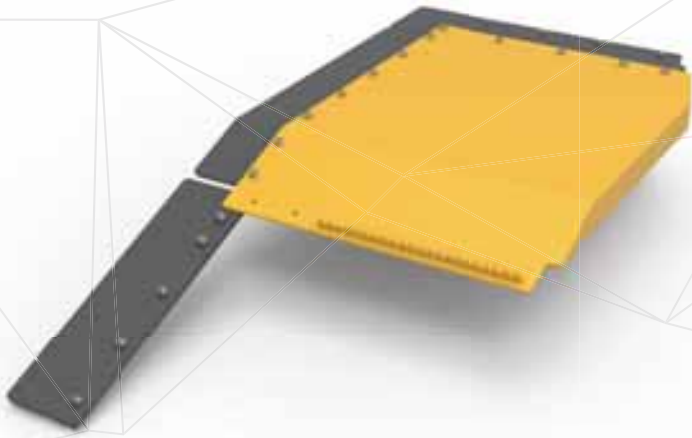


UNDERGROUND MACHINE PRODUCTS



BEND-TECH

Caterpillar R1700G Loader



CAT R1700G Rear Fender LH

OEM No. 307-1038, 307-0988

Colour: CAT Yellow

Part No. 5601021

CAT R1600G Rear Fender RH

OEM No. 307-1038, 307-0989

Colour: CAT Yellow

Part No. 5601002



CAT R1700G Rear Deck Hood

OEM No. 284-6132

Colour: CAT Yellow
• Excludes mount

Part No. 5601001



CAT R1700G Rear Deck Hood Mount

OEM No. 291-2291

Colour: CAT Yellow
• Excludes hood

Part No. 5601030

Caterpillar R1700G Loader



CAT R1700G Tilt Cylinder Guard

OEM No. 199-5816

Colour: CAT Yellow

Part No. 5001946



Bucket Bumper Kit

OEM No. 233-0734

Kit includes 1x bucket bumper,
2 x 2mm shim and 2 x 3mm shim.

Colour: CAT Yellow & Black

Part No. 5000332



CAT R1700G Rear Radiator Grille

OEM No. 291-6362

Colour: Black

- Includes locking pin latch and hinges

Part No. 5606351



Recovery Hook

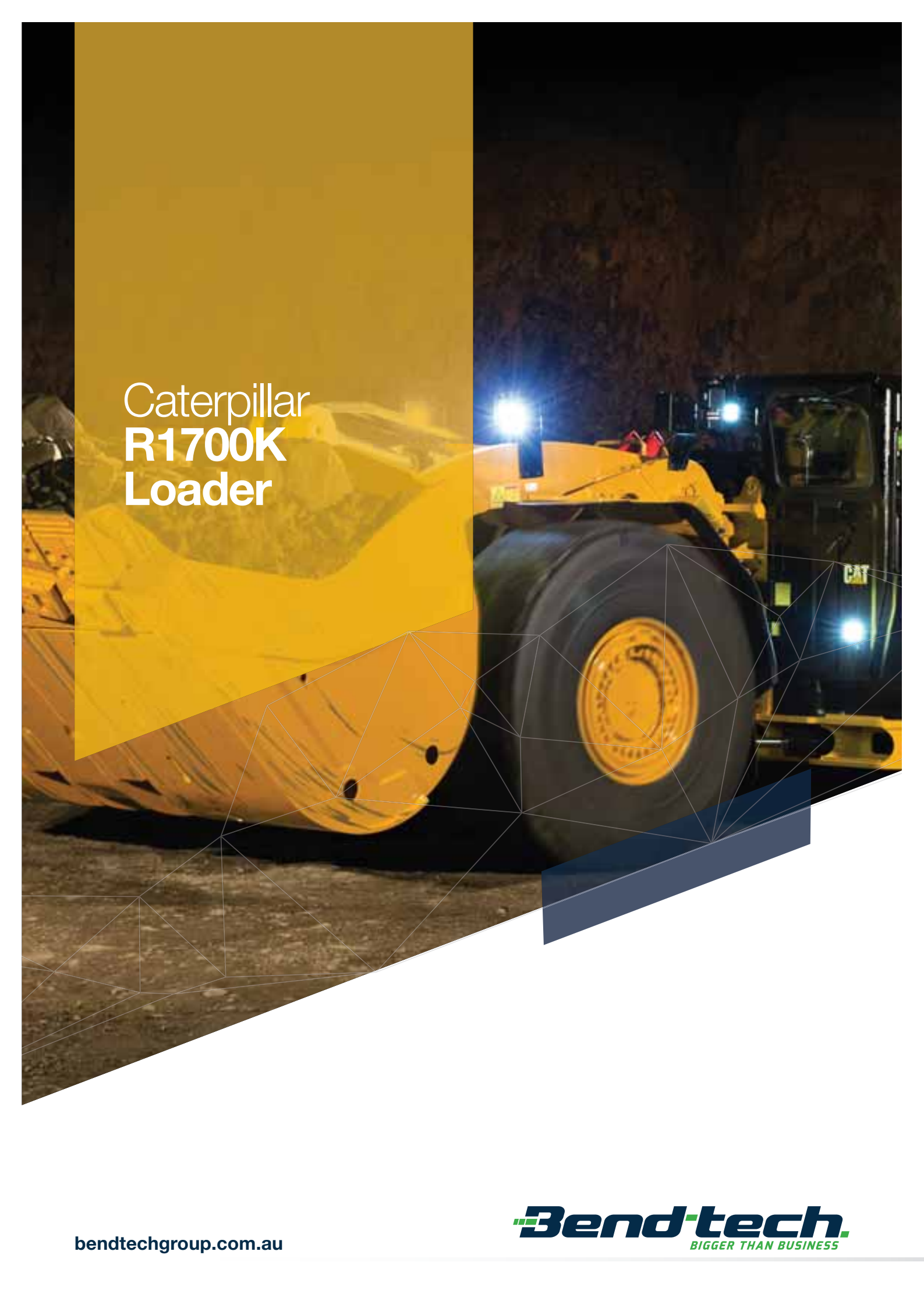
Welded to the rear to provide tow assistance when required.

Construction: Heavy-duty steel

- No paint or powder used for ease of welding/fitment

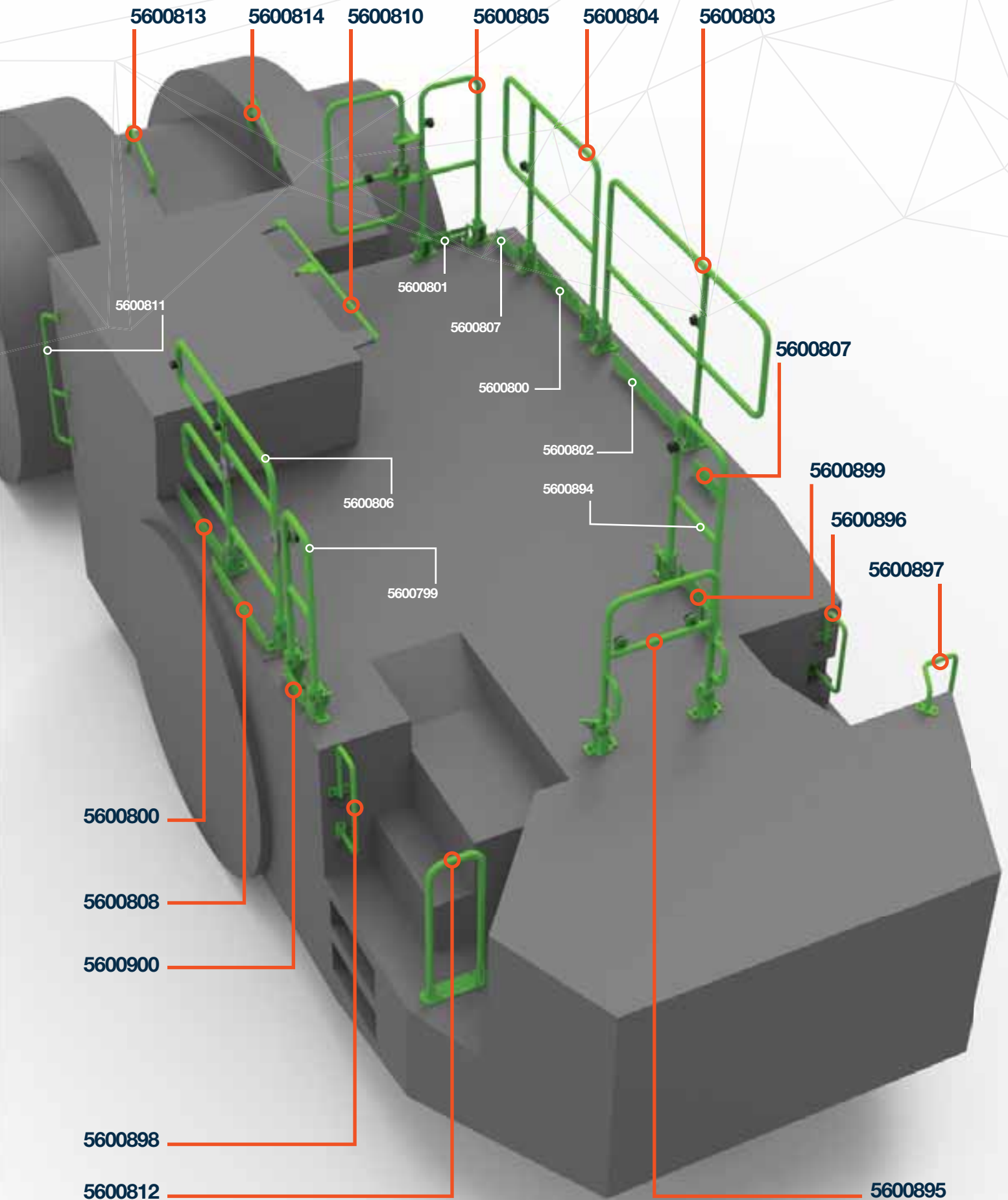
Part No. 5602282



A photograph of a yellow Caterpillar R1700K wheel loader at night. The loader is illuminated by its own headlights and work lights, creating a high-contrast scene against the dark background. The machine is positioned on a dirt or gravel surface. A large, semi-transparent yellow rectangle is overlaid on the left side of the image, containing the text 'Caterpillar R1700K Loader'. A dark blue geometric shape is overlaid on the bottom right of the image. A white grid pattern is visible across the bottom half of the image.

Caterpillar
R1700K
Loader

Caterpillar R1700K Loader



Caterpillar R1700K Loader



Handrail 5600803
OEM No. 490-1803



Handrail 5600804
OEM No. 490-1922



Handrail 5600805
OEM No. 490-1943



Handrail 5600806
OEM No. 490-1956



Handrail 5600799
OEM No. 490-6166



Handrail 5600810
OEM No. 485-2326



Handrail 5600811
OEM No. 485-2333



Handrail 5600894
OEM No. 490-1932



Handrail 5600895
OEM No. 490-1974



Grabrail 5600812
OEM No. 492-3186



Grabrail 5600813
OEM No. 522-3441



Grabrail 5600814
OEM No. 522-0713



Caterpillar R1700K Loader



Grabrail 5600818

OEM No. 485-2334



Grabrail 5600896

OEM No. 490-7000



Grabrail 5600897

OEM No. 490-7004



Grabrail 5600898

OEM No. 492-3184



Kickplate 5600800 (2 Required)

OEM No. 489-9199



Kickplate 5600801

OEM No. 490-1955



Kickplate 5600802

OEM No. 490-1982



Kickplate 5600807 (2 Required)

OEM No. 490-1984



Kickplate 5600808

OEM No. 552-8478



Kickplate 5600899

OEM No. 552-8398



Kickplate 5600900

OEM No. 552-9744

Caterpillar R1700K Loader



CAT R1700K Fixed Fenders

Direct OEM replacement for CAT R1700K Fenders.

Colour: CAT Yellow

Features:

- Heavy duty construction
- Precision manufactured for fast fit up to your machine



Part No. 5601034
OEM No. 489-8999
(LH)

Part No. 5601033
OEM No. 488-2514
(RH)



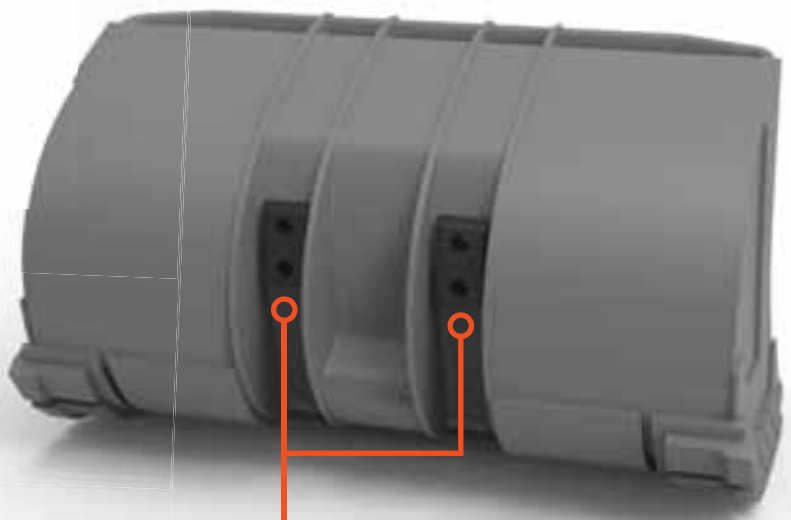
Bucket Bumper Kit

OEM No. 233-0734

Kit includes 1x bucket bumper,
2 x 2mm shim and 2 x 3mm shim.

Colour: CAT Yellow & Black

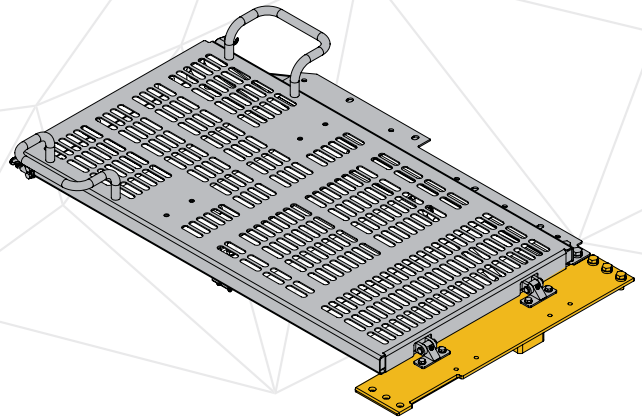
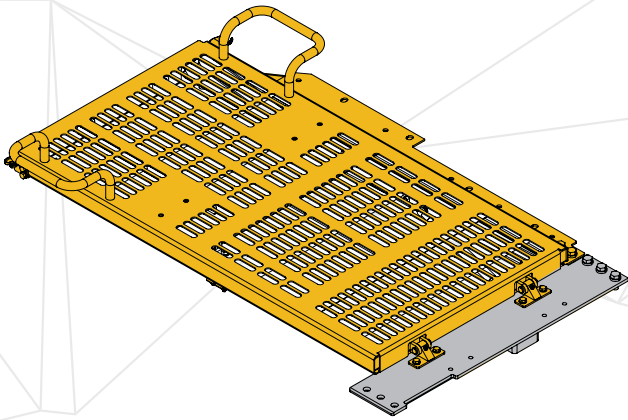
Part No. 5000332



5000332



Caterpillar R1700K Loader



CAT R1700K Rear Deck Hood

OEM No. 565-3930

Colour: CAT Yellow

- Includes locking pin latch and hinges
- Excludes mount

Part No. 5601004

CAT R1700K Rear Deck Hood Mount

OEM No. 564-4424

Colour: CAT Yellow

- Excludes hood

Part No. 5601044



CAT R1700K Radiator Grille

OEM No. 484-1610

Colour: Black

- Includes locking pin latch and hinges

Part No. 5601003



Recovery Hook

Welded to the rear to provide tow assistance when required.

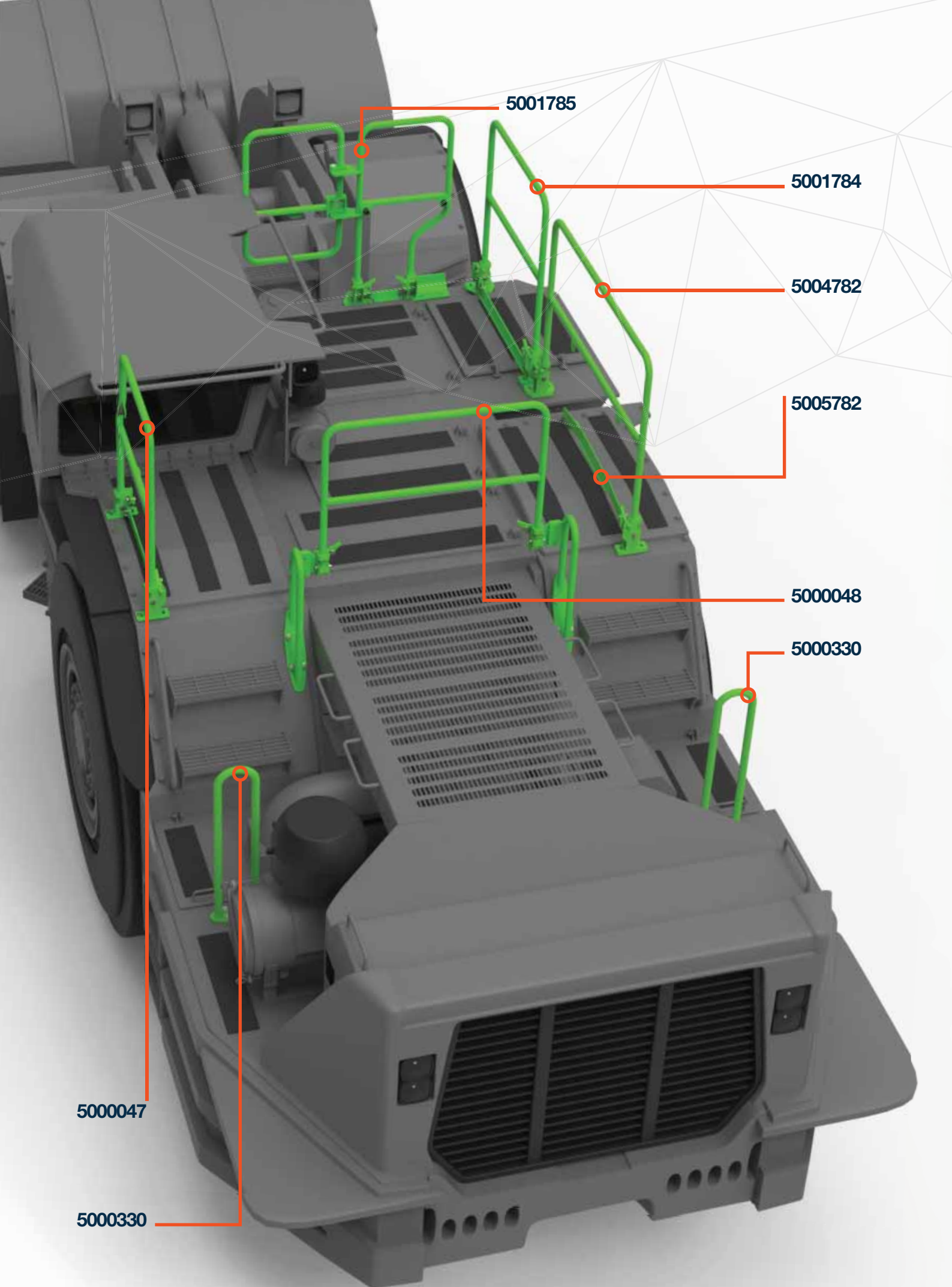
Construction: Heavy-duty steel

- No paint or powder used for ease of welding/fitment

Part No. 5602282

A large yellow Caterpillar wheel loader is shown at night, illuminated by its own headlights. The loader is positioned on a pile of rocks or gravel. A semi-transparent yellow rectangular overlay covers the upper left portion of the image, containing the text 'Caterpillar R2900 / R3000 Loader'. A dark blue diagonal bar is located in the lower right area of the image. A white wireframe grid is overlaid on the bottom right portion of the image.

Caterpillar
R2900 / R3000
Loader



5001785

5001784

5004782

5005782

5000048

5000330

5000047

5000330

Caterpillar R2900 / R3000 Loader



Handrail 5004782
OEM No. 453-8703 (OLD 321-4739)



Handrail 5000047
OEM No. 453-8705 (OLD 321-4745)



Handrail 5000048 (Includes Mounts)
OEM No. 453-8704 (OLD 321-4753)



Handrail 5001784
OEM No. 453-8702 (OLD 321-4758)



Handrail 5001785
OEM No. 453-8701 (OLD 321-4767)



Handrail 5000048M (Includes Mounts)
Accommodates RCT Camera



Cab Handrail 5001816
OEM No. 250-0931



Handrail 5000330 (2 Required)
OEM No. 230-9812



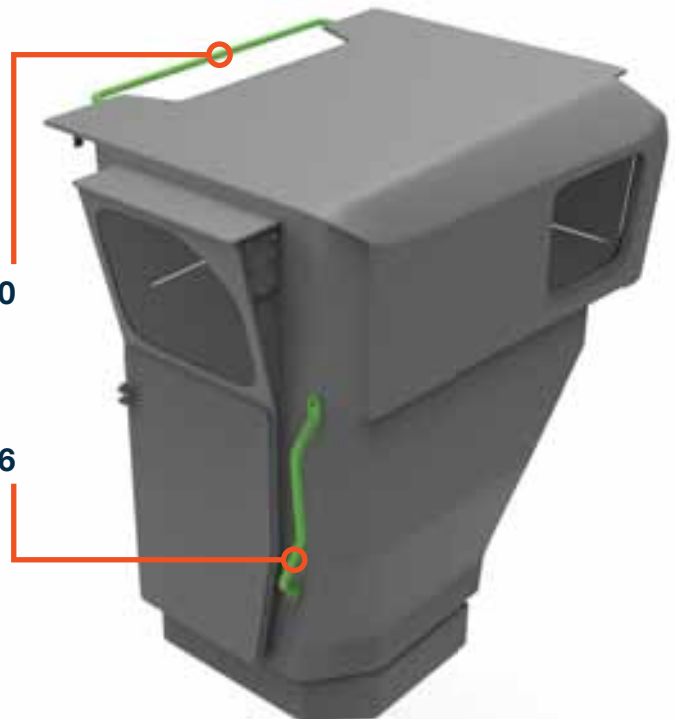
Kickplate 5005782
OEM No. 321-4764



Cab Handrail 5601010
OEM No. 250-0929

5601010

5001816



UNDERGROUND MACHINE PRODUCTS



BEND-TECH

Caterpillar R2900 / R3000 Loader

Certified / Compliant
with AUS Standards



CAT R2900 / R3000 Handrail Storage Rack

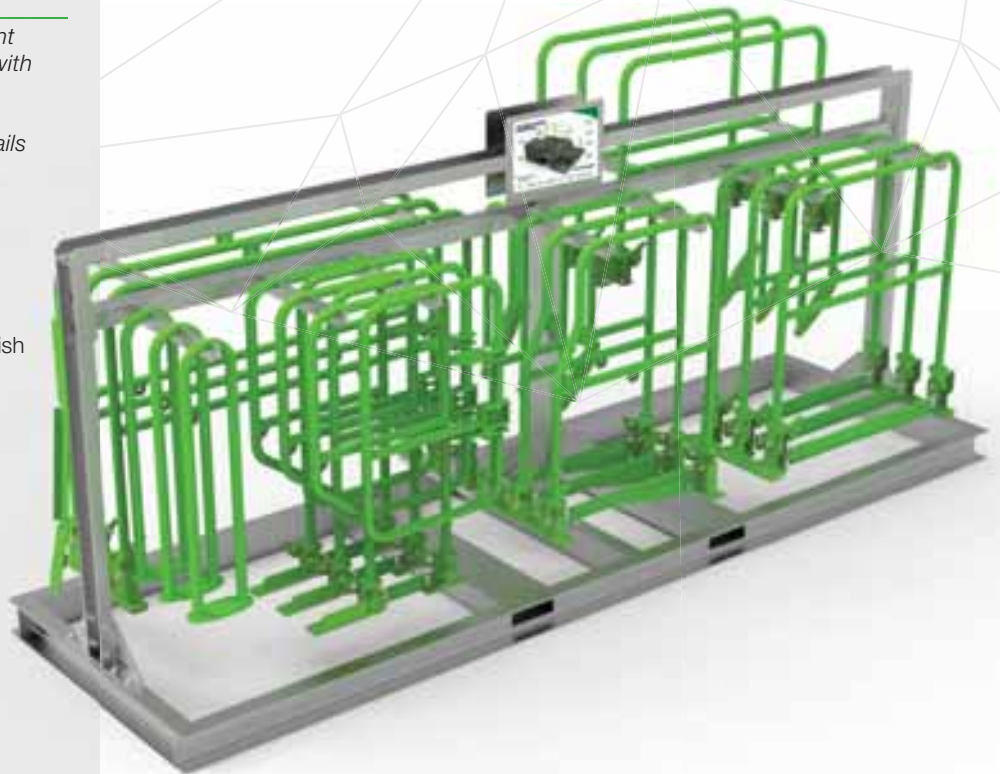
Suits Bend-tech's OEM replacement handrails. Certified and compliant with Australian Standards.

This handrail storage rack allows sites to access replacement handrails quickly and easily, without waiting for freight.

Construction: Heavy-duty steel

Features:

- Heavy-duty hot dip galvanised finish
- All required signage incorporated
- Rack capacity: 3 complete sets
- Handrails not included
- Forklift slots



Part No. 5502944

CAT R2900 / R3000 Fall Arrestor Tether Kit

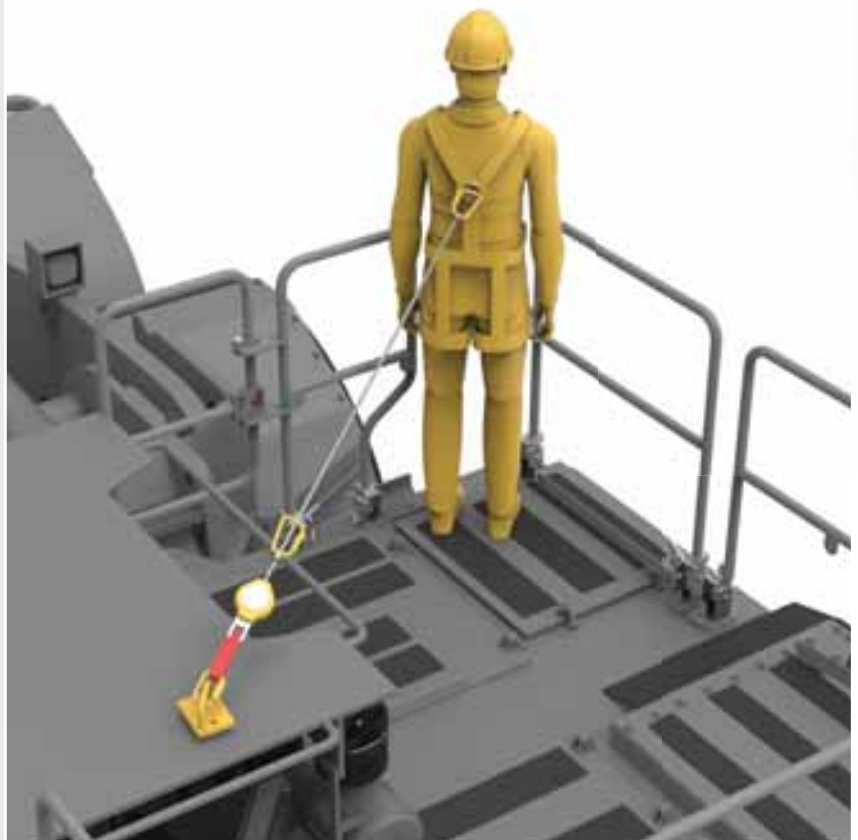
A solution to provide operators/fitters with a tethering kit which they could lock onto, while erecting the handrails on the machine.

Features:

- Tether kit is pre-rated to arrest the fall of an operator
- Tether mechanism locks when sudden movement is detected (e.g. losing balance), preventing tripping and/or falling from machine
- Uses existing bolts/fittings on the roof and engineered and certified brackets for the retractable fall arrest tethers to attach to

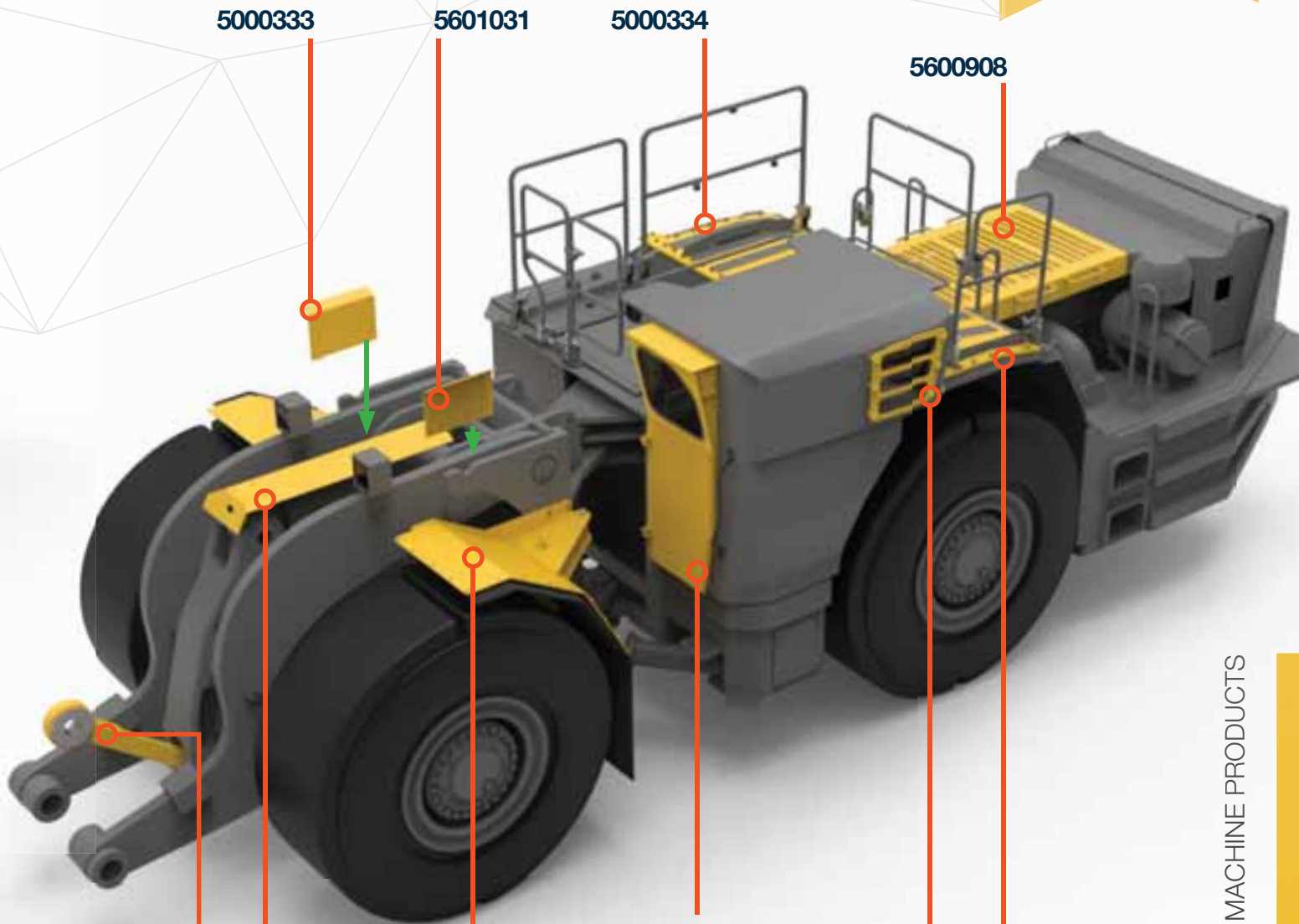
Includes:

- Carabiners
- Tether point
- Retractable fall arrest block



Part No. 5504911

Caterpillar R2900 / R3000 Loader



5000333

5601031

5000334

5600908

5001791 OEM No. 249-6759
5602059 OEM No. 442-2059

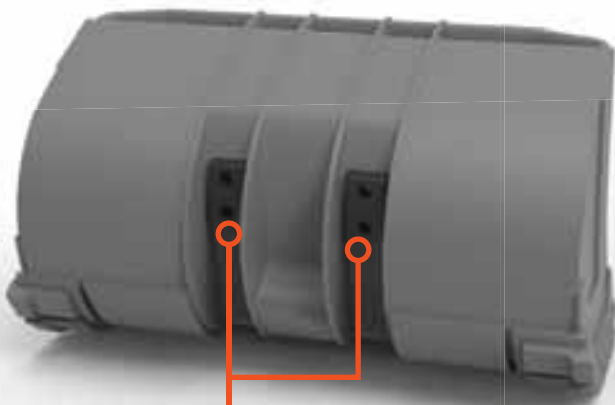
5001783

5001789

5000050 Hinged
5001788 Fixed

5000331

5600909



5000332



5600907

5000049 Hinged
5001787 Fixed

UNDERGROUND MACHINE PRODUCTS



BEND-TECH

Caterpillar R2900 / R3000 Loader



CAT R2900 / R3000 Dog Bone / Tilt Link

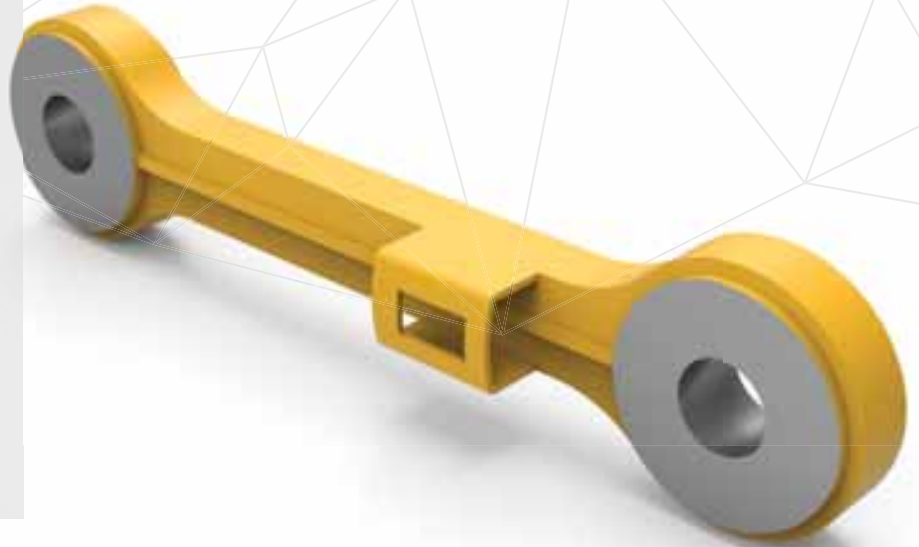
Bend-tech's dog bone components are precision manufactured and machined from high tensile steel, with hardened and ground bushes. To suit OEM No. 186-9869

Colour: CAT Yellow

Features:

- Grease channel machined into the dog bone body
- Supplied in enclosed transport crate
- Supplied with seals and bushes

Part No. 5001783



CAT R2900 / R3000 Dog Bone / Tilt Link Transport And Storage Frame

For the transport and storage of the Caterpillar R2900 dog bone.

Construction: Heavy-duty aluminium

WLL: 200kg

Colour: CAT Yellow

Features:

- Includes ratchet tie-downs
- Tie-down points
- Forklift slots

Part No.5504125



Tailshaft Guard (Bottom) 5001948

OEM No. 248-5140

Colour: CAT Yellow



Tailshaft Guard (Top) 5001947

OEM No. 248-5139

Colour: CAT Yellow

Caterpillar R2900 / R3000 Loader



CAT R2900 Hinged Fenders

Made to suit CAT R2900 Loaders, our fender acts as a wheel guard and is designed to withstand the harshest underground mining environments.

Colour: CAT Yellow

Features:

- Heavy duty hinged folding system
- Double pin design to eliminate sagging
- Eliminates requirement to remove fender to access components positioned behind the fender Tilt Link
- Stainless pins with greasing points
- Suitable for use with tyre chains



CAT R2900 Fixed Fenders

Direct OEM replacement for CAT R2900 fixed fenders.

Colour: CAT Yellow

Features:

- Protects the wheel and surrounding components
- Protects hydraulics and other components from mud and dirt

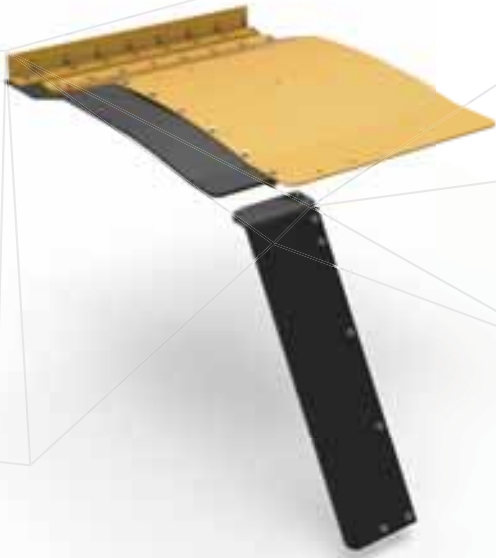


UNDERGROUND MACHINE PRODUCTS



BEND-TECH

Caterpillar R2900 / R3000 Loader

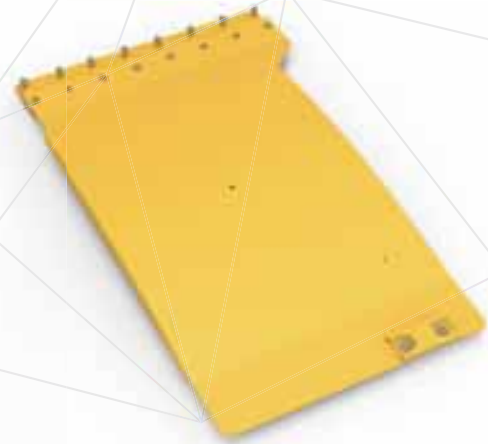


CAT R2900G / R3000H Narrow Rear Fender Assembly LH

OEM No. 252-6600, 230-4739

Colour: CAT Yellow

Part No. 5506963



CAT R2900G / R3000H Narrow Rear Fender Assembly RH

OEM No. 252-6600, 252-6599

Colour: CAT Yellow

Part No. 5000334



CAT R2900G / R3000H Wide Rear Fender Assembly LH

OEM No. 252-5934, 252-5933

Colour: CAT Yellow

Part No. 5506962



CAT R2900G / R3000H Wide Rear Fender Assembly RH

OEM No. 252-5934, 248-4289

Colour: CAT Yellow

Part No. 5600909

Caterpillar R2900 / R3000 Loader



CAT R2900 / R3000 Rear Radiator Grille

OEM No. 264-8350

Colour: Black

- Includes locking pin latch and hinges

Part No. 5600907

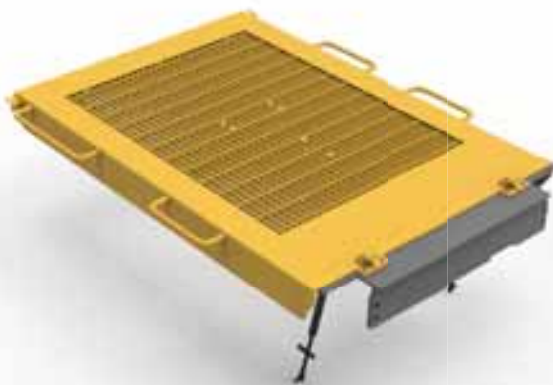


Bucket Bumper Kit

Kit includes 1x bucket bumper, 2 x 2mm shim and 2 x 3mm shim. OEM No. 233-0734

Colour: CAT Yellow & Black

Part No. 5000332



CAT R2900G / R3000H Rear Deck Hood

OEM No. 248-5160

Colour: CAT Yellow

- Excludes mount
- Includes 2x gas struts

Part No. 5600908



CAT R2900G / R3000H Rear Deck Hood Mount

OEM No. 501-4874

Colour: CAT Yellow

- Excludes hood

Part No. 5601020



Caterpillar R2900 / R3000 Loader



CAT R2900G Cylinder Guard

OEM No. 217-0347

Colour: CAT Yellow

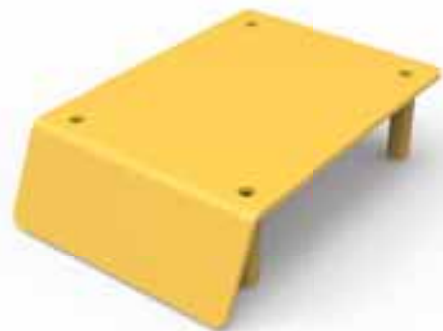
Part No. 5001789

CAT R2900G Window Guard

OEM No. 251-7851

Colour: CAT Yellow

Part No. 5000331



CAT R2900G Lubrication Lines Cover RH

OEM No. 203-1563

Colour: CAT Yellow

Part No. 5000333

CAT R2900G Lubrication Lines Cover LH

OEM No. 203-1562

Colour: CAT Yellow

Part No. 5601031

Caterpillar R2900 / R3000 Loader



CAT R2900G Cab Door

OEM No. 249-6759

Colour: CAT Yellow

Features:

- Heavy duty construction
- Precision manufactured for fast fit up to your machine
- Suits JLK

Part No. 5001791



CAT R2900 / R2900G / R3000H Cab Door

OEM No. 442-2059

Colour: CAT Yellow

Features:

- Heavy duty construction
- Precision manufactured for fast fit up to your machine
- Suits JLK, NLK, ZLK, RCM and RCY

Part No. 5602059



Recovery Hook

Welded to the rear to provide tow assistance when required.

Construction: Heavy-duty steel

- No paint or powder used for ease of welding/fitment

Part No. 5602282



Caterpillar R2900 Loader

Certified / Compliant
with AUS Standards



CAT R2900 Bucket Reconditioning Platform

Designed and engineered for safe, certified and compliant access when working on the CAT R2900 bucket. Certified and compliant with Australian Standards

Construction: Heavy-duty aluminium

Features:

- 4 x sections bolt together to combine in one square shaped platform
- Non-slip, serrated grating work deck and stair treads
- Non-slip nosings on all stair treads
- Safety handrails with kickplates
- High quality castor wheels
- Heavy-duty levelling jacking stands
- Forklift slots
- Self-closing gate



Part No. 5501730

CAT R2900 Lift Arm Access Platform Set

Designed and engineered to safely and efficiently access the lift arm of the CAT R2900. Certified and compliant with Australian Standards.

Construction: Heavy-duty aluminium

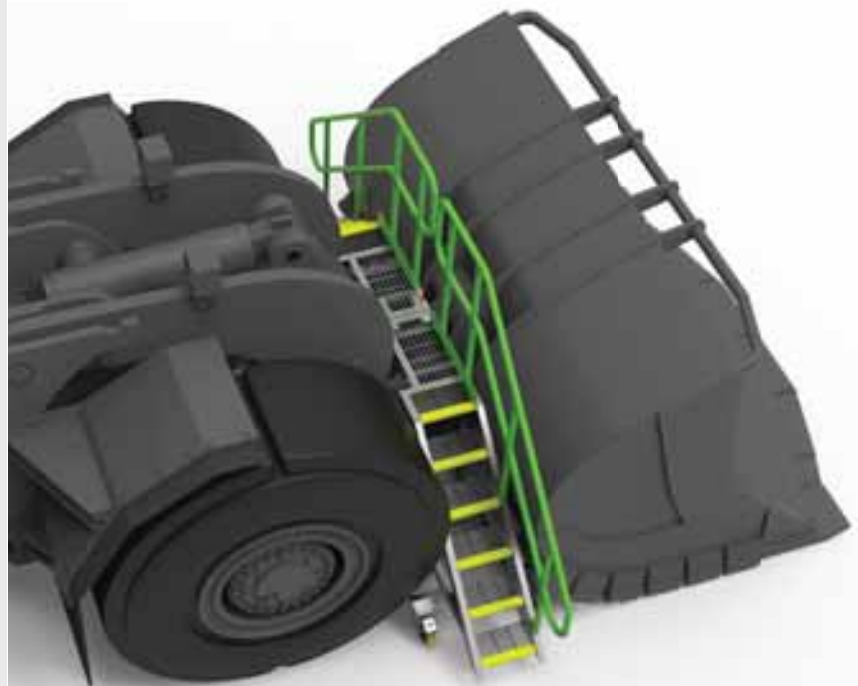
WLL: 350kg

Features:

- LH & RH set
- Fitted with heavy-duty castors
- Fitted with jacking stands



Part No. 5503187



Caterpillar R2900 Loader



CAT R2900 Rear Access Platform

Designed and engineered to safely and efficiently access the rear section of a CAT R2900 Loader for routine maintenance and repairs alike. Certified and compliant with Australian Standards

Construction: Heavy-duty aluminium
WLL: 600kg

Features:

- Non-slip, serrated grating work deck and stair treads
- Non-slip nosings on all stair treads
- Safety handrails with kickplates
- High quality castor wheels
- Heavy-duty levelling jacking stands
- Self-closing gate
- Forklift slots

Part No. 5503189



CAT R2900 Articulation Area Access Platform

Designed and engineered to safely and efficiently access the articulation area of the CAT R2900 Loader for maintenance and repairs. Certified and compliant with Australian Standards.

Construction: Heavy-duty aluminium

Features:

- Full TIG welded, heavy-duty aluminium RHS construction
- Non-slip, serrated grating work deck and stair treads
- Non-slip nosings on all stair treads
- High quality castor wheels
- Safety handrails with kickplates
- Self-closing gate
- Forklift slots

Part No. 5501557



Caterpillar R2900 Loader

Certified / Compliant
with AUS Standards



CAT R2900 Front Wheel / Tilt Cylinder Access Platform

Designed and engineered to provide safe access to the tilt cylinder above the wheel of a CAT R2900 loader for maintenance and repairs. Certified and compliant with Australian Standards.

Construction: Heavy-duty aluminium
WLL: 150kg

Features:

- Full TIG welded, heavy-duty aluminium
- Non-slip, serrated grating work deck and stair treads
- Non-slip nosings on all stair treads
- High quality castor wheels
- Safety handrails with kickplates
- Removable drop-in handrails facing lift arms
- Self-closing gate
- Forklift slots

Part No. 5504118



CAT R2900 Lift Arm Access Platform Set

A certified access platform designed and engineered for the safe and efficient access to the lift cylinder of the Caterpillar R2900 underground loaders. Certified and compliant with Australian Standards.

Features:

- Full TIG welded, heavy-duty aluminium RHS construction
- LH & RH symmetrical platform set
- Platforms allow easy access on both sides at once
- Non-slip, serrated grating work deck and stair treads
- Non-slip nosings on all stair treads
- Safety handrails with kickplates
- High quality castor wheels
- Heavy-duty levelling jacking stands
- Removable drop-in handrails facing lift arms
- Self-closing gate

Part No. 5505474



Caterpillar R2900 Loader



CAT R2900 Bucket Repair Access Platform

A certified access platform designed and engineered to provide safe and efficient access for maintenance to the bucket of the Caterpillar R2900 loader. Certified and compliant with Australian Standards.

Construction: Heavy-duty steel
WLL: 200kg

Features:

- Forklift slots
- Removable handrail – can be used on both sides of platform deck

Part No. 5505506



BEND-TECH | UNDERGROUND MACHINE PRODUCTS

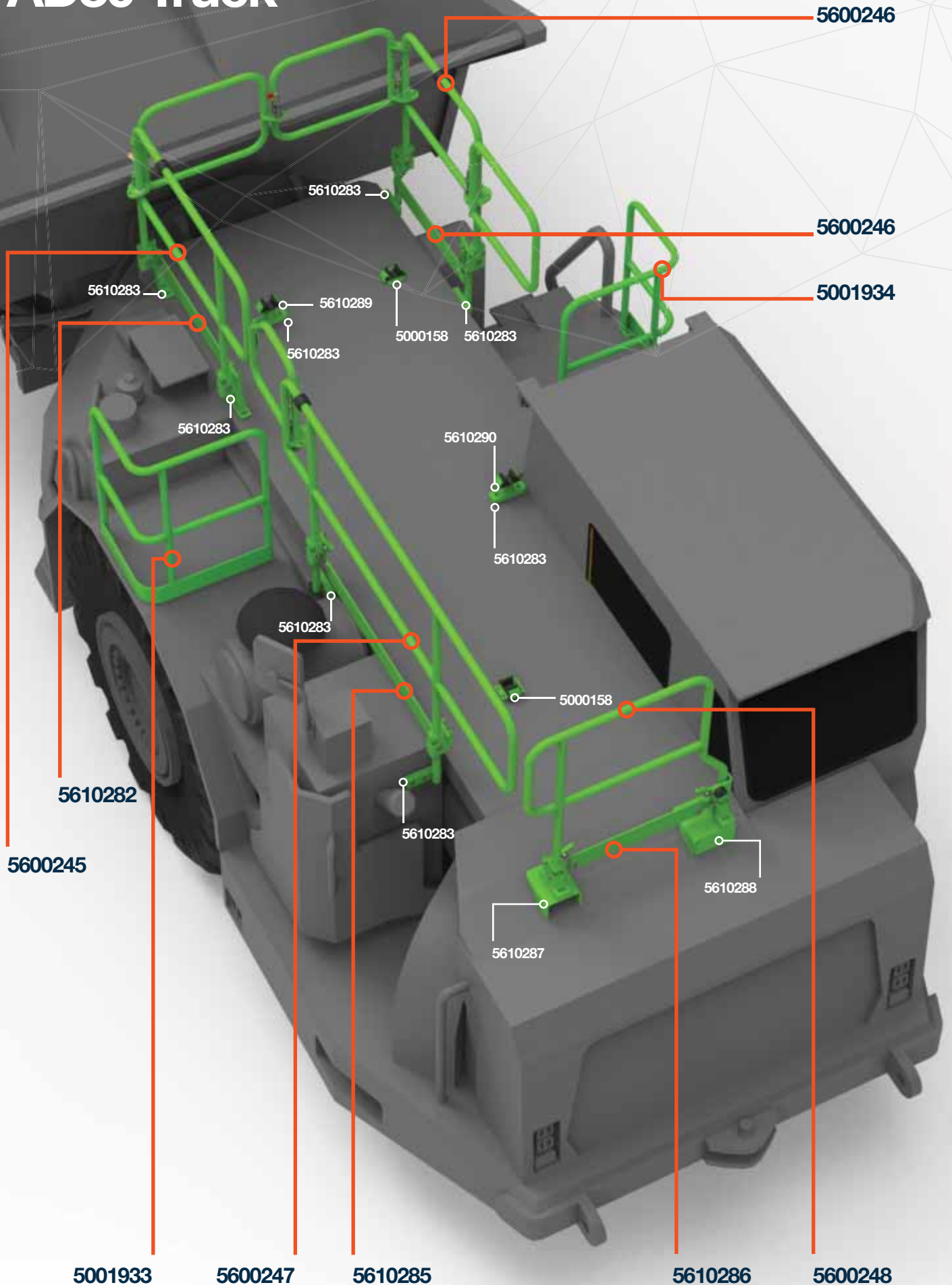


BEND-TECH |



Caterpillar
AD30 Truck

Caterpillar AD30 Truck



Caterpillar AD30 Truck



Handrail 5600245



Handrail 5600246



Handrail 5600247



Handrail 5600247



Kickplate 5610284 (1 required)



Kickplate 5610282 (1 required)



Kickplate 5610286 (1 required)



Kickplate 5610285 (1 required)



Mount Plate 5610287 (1 required)



Mount Plate 5610288 (1 required)



Mount Plate 5610283 (8 required)



Raised Bracket 5610290 (1 required)



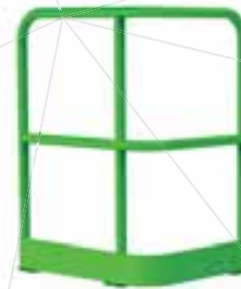
Caterpillar AD30 Truck



Bracket 5000158 (2 required)



Raised Bracket 5610289 (1 required)



LH Outer Handrail 5001933

OEM No. 234-9791



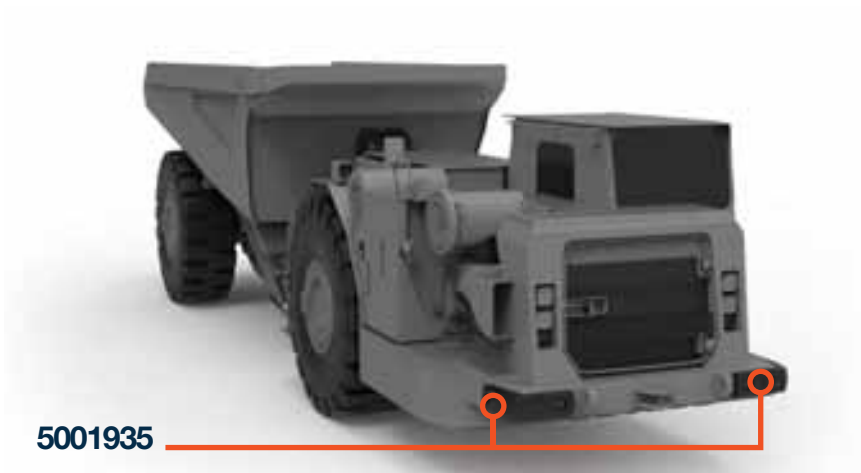
RH Outer Handrail 5001934

OEM No. 234-9790



Bumper 5001935

OEM No. 166-4225 (single unit)



5001935

Caterpillar AD30 Truck



CAT AD30 Tray / Tub Access Platform

A safe, certified and compliant access platform designed and engineered to access the tray on the CAT AD30. Certified and compliant with Australian Standards.

Construction: Heavy-duty aluminium

Features:

- Stairway parallel to the platform deck to reduce platform footprint
- Non-slip stairway and work area
- High quality castor wheels
- Handrails fully removable
- Self-closing gate at the top of the stairs



Part No. 5501823

“ Making maintenance
on-site safe, efficient
and easy ”

UNDERGROUND MACHINE PRODUCTS

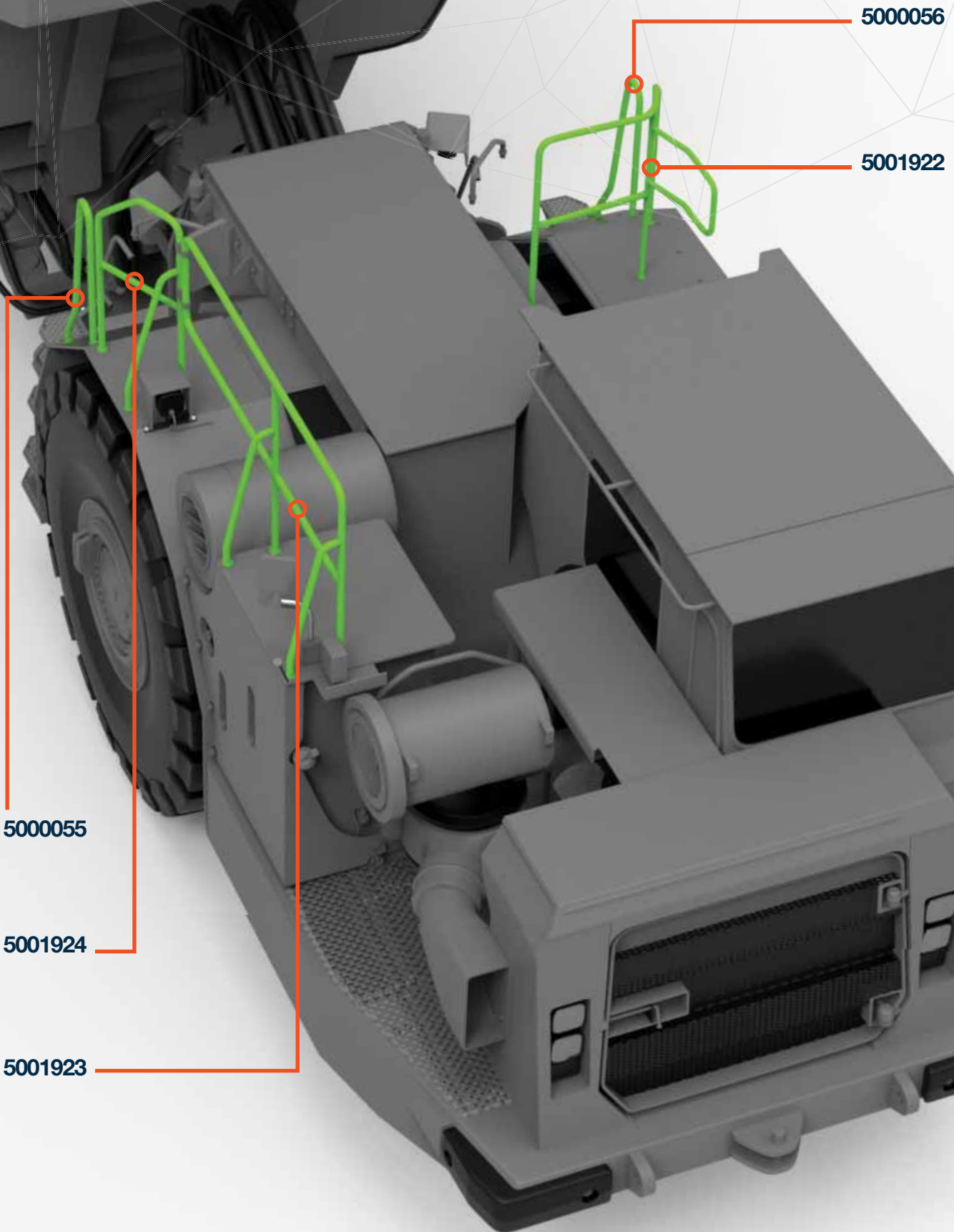


BEND-TECH



Caterpillar
AD45 Truck

Caterpillar AD45 Truck (OEM)



Caterpillar AD45 Truck (OEM)



Handrail 5000055

OEM No. 245-2160



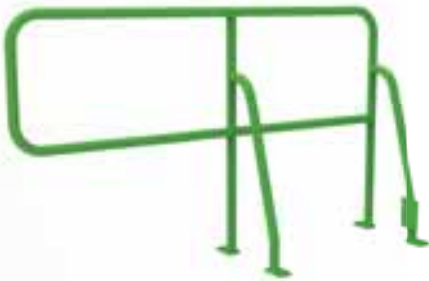
Handrail 5000056

OEM No. 245-2161



Handrail 5001922

OEM No. 271-1840



Handrail 5001923

OEM No. 271-1841



Handrail 5001924

OEM No. 271-1842



Bumper 5001935

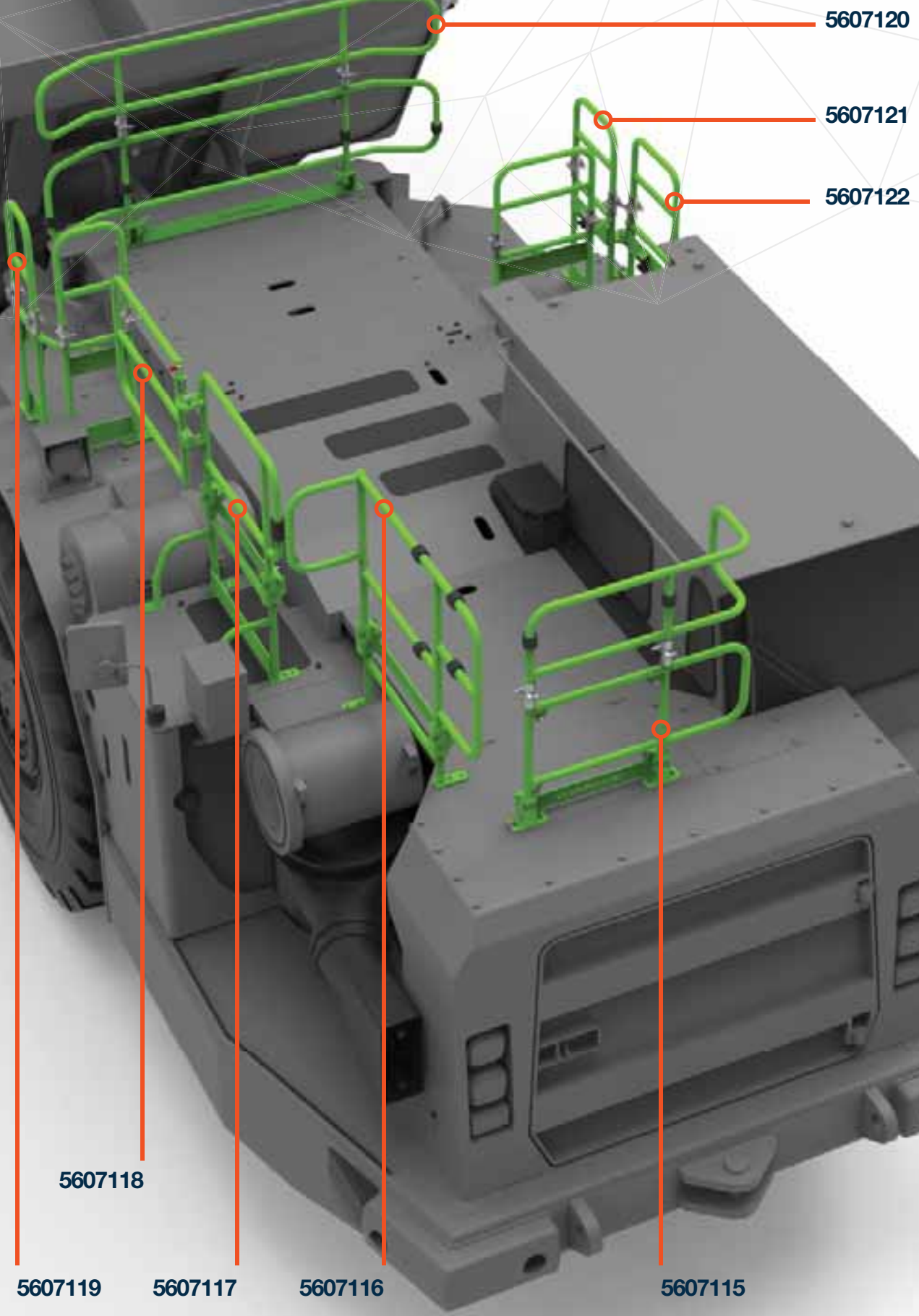
OEM No. 166-4225 (single unit)



5001935



Caterpillar AD45 Truck



Caterpillar AD45 Truck



Handrail 5607115



Handrail 5607116



Handrail 5607117



Handrail 5607118



Handrail 5607119



Handrail 5607120



Handrail 5607121



Handrail 5607122



Bumper 5001935

OEM No. 166-4225 (single unit)



5001935

UNDERGROUND MACHINE PRODUCTS



BEND-TECH

Caterpillar AD45 Truck



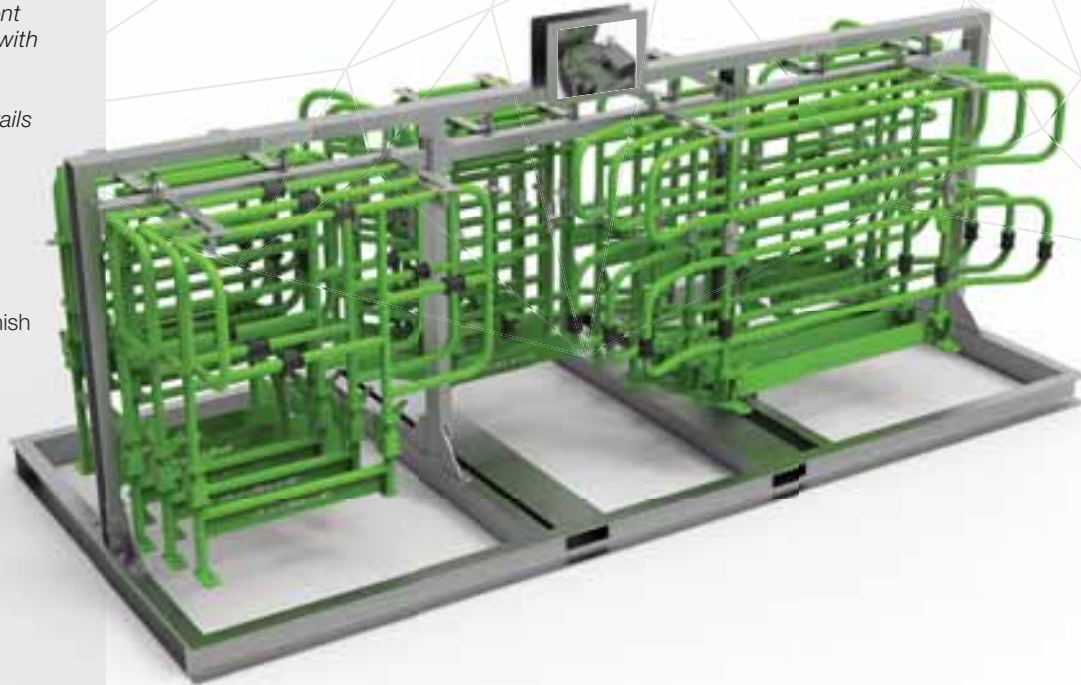
CAT AD45 Handrail Storage Rack

Suits Bend-tech's OEM replacement handrails. Certified and compliant with Australian Standards. This handrail storage rack allows sites to access replacement handrails quickly and easily, without waiting for freight.

Construction: Heavy-duty steel

Features:

- Heavy-duty hot dip galvanised finish
- All required signage incorporated
- Rack capacity: 3 complete sets
- Handrails not included
- Forklift slots



Part No. 5507638

CAT AD45 Tray / Tub Access Platform

A safe, certified and compliant access platform designed and engineered to access the tray on the AD45. Certified and compliant with Australian Standards.

Construction: Heavy-duty aluminium

Features:

- Stairway parallel to the platform deck to reduce platform footprint
- Non-slip stairway and work area
- High quality castor wheels
- Handrails fully removable
- Self-closing gate at the top of the stairs

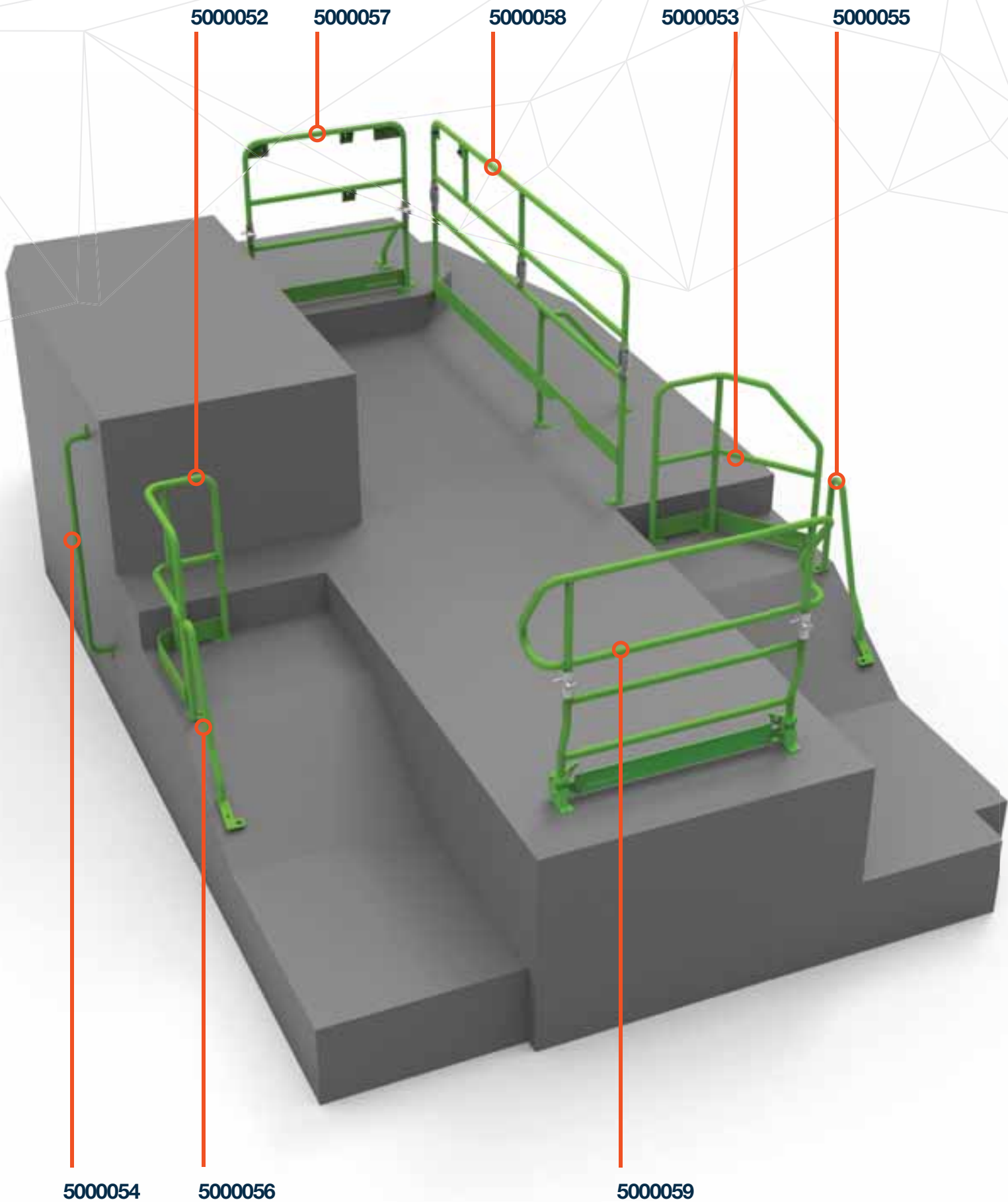


Part No. 5501806



Caterpillar AD55 Truck

Caterpillar AD55 (DNW) Truck



Caterpillar AD55 (DNW) Truck



Handrail 5000052

OEM No. 211-3320



Handrail 5000053

OEM No. 211-3321



Handrail 5000054

OEM No. 211-3328



Handrail 5000055

OEM No. 245-2160



Handrail 5000056

OEM No. 245-2161



Handrail 5000057

OEM No. 321-4800



Handrail 5000058

OEM No. 361-8490



Handrail 5000059

OEM No. 316-2954



Bumper 5001935

OEM No. 166-4225 (single unit)



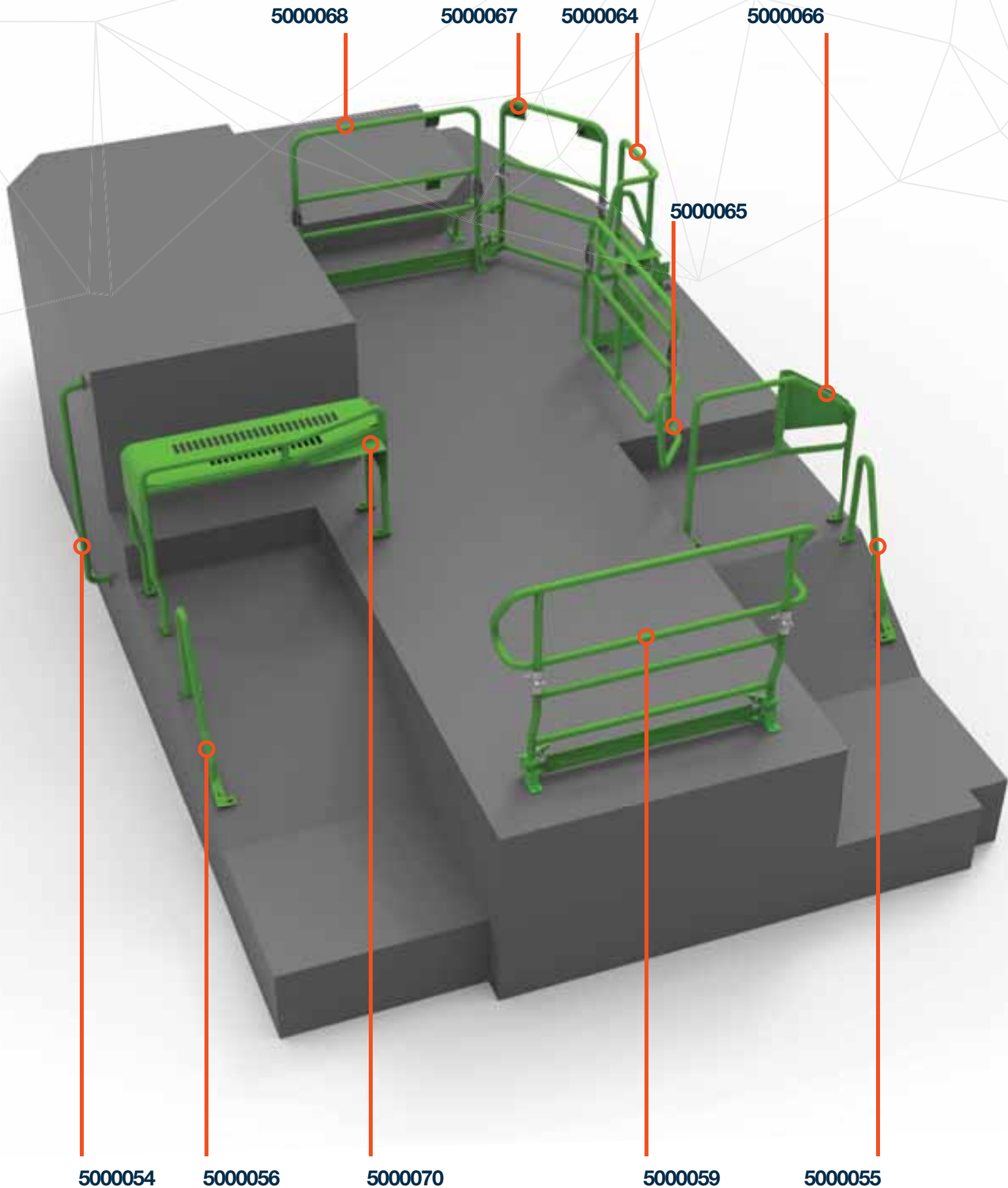
5001935

UNDERGROUND MACHINE PRODUCTS



BEND-TECH

Caterpillar AD55 (JNW) TRUCK



Caterpillar AD55 (JNW) TRUCK



Handrail 5000054

OEM No. 211-3328



Handrail 5000055

OEM No. 245-2160



Handrail 5000056

OEM No. 245-2161



Handrail 5000064

OEM No. 304-6145



Handrail 5000065

OEM No. 313-2827



Handrail 5000066

OEM No. 304-6148



Handrail 5000067

OEM No. 313-3123



Handrail 5000068

OEM No. 313-3146



Handrail 5000059

OEM No. 316-2954



Handrail 5000070

OEM No. 310-4990



Ladder 5000046

NEW - OEM No. 515-8945
(OLD - OEM No. 338-6547)



Bumper 5001935

OEM No. 166-4225 (single unit)



Caterpillar AD55 Truck

Certified / Compliant
with AUS Standards



CAT AD55 Rear Tray / Tub Access Platform

A platform designed for the safe, certified and compliant access to the to the tray of the AD55 JNW and DNW. Certified and compliant with Australian Standards.

Construction: Heavy-duty aluminium

Features:

- Non-slip stairway and work area
- Safety handrails
- Self closing gate
- High quality castor wheels
- Foldable handrail wings that align with the edges of the tray
- Fitted with jacking stands



Part No. 5501846

CAT AD55 Hydraulic Ram Clamp Set – 597MM

Our tub lifting ram clamp is designed and engineered for the CAT AD55 underground machines. We designed this solution due to the OEM lockout devices not providing enough height for critical maintenance to the rear axle and diff area.

Construction: Heavy-duty steel

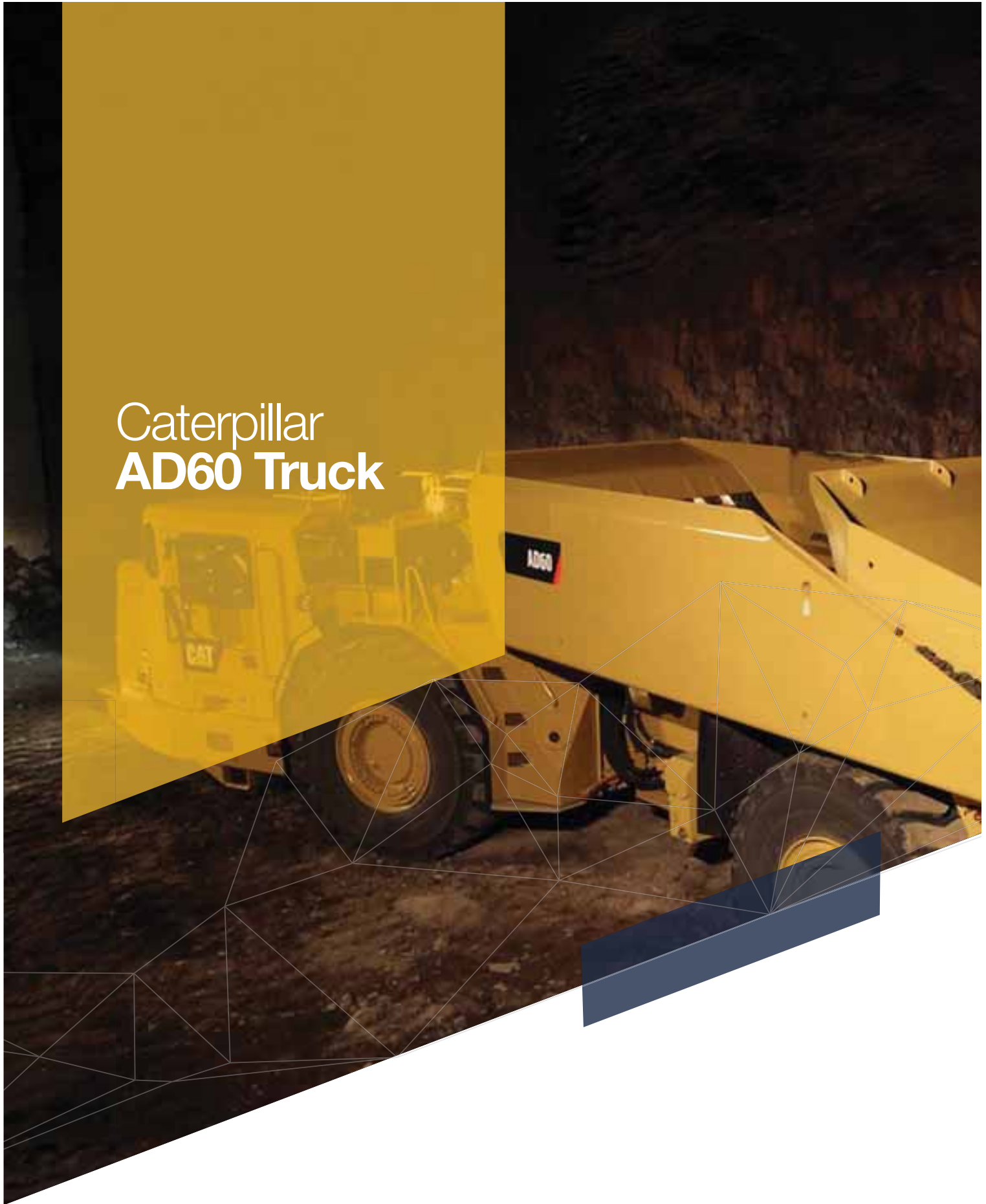
Features:

- Manual handling weights no greater than 15kg
- Eliminates the need to setup labour intensive heavy-duty support stands
- 2 x supports included
- Certified and compliant with Australian Standards



Part No. 5501387

Caterpillar AD60 Truck



Caterpillar AD60 Truck



5600120

5600937

5600119

5600936

5600935

5503996

5600118

5000067

5600117

5600571

5000046

5601043

5000068

Caterpillar AD60 Truck



Handrail 5600118

OEM No. 393-5365



Handrail 5000067

OEM No. 313-3123



Handrail 5000068

OEM No. 313-3146



Handrail 5600120

OEM No. 370-2776



Handrail 5600117

OEM No. 366-4160



Handrail 5600119

OEM No. 393-5385



Handrail 5503996

OEM No. 567-8716

*Suited to models with fire suppression unit fitted



Handrail 5600935

OEM No. 567-8717



Handrail 5600936

OEM No. 567-8720



Handrail 5600937

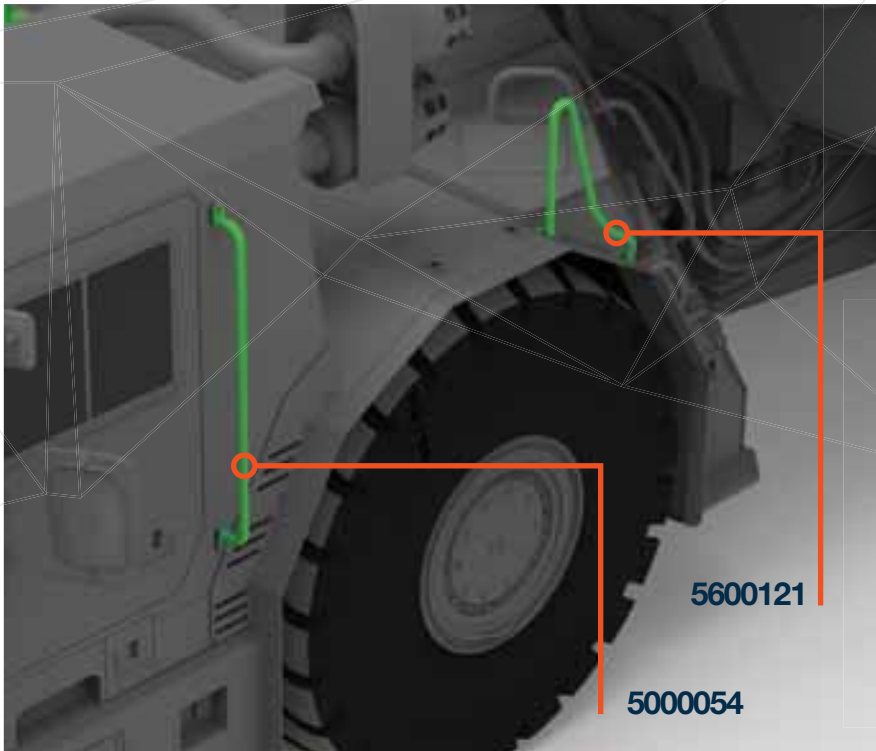
OEM No. 567-8718

UNDERGROUND MACHINE PRODUCTS

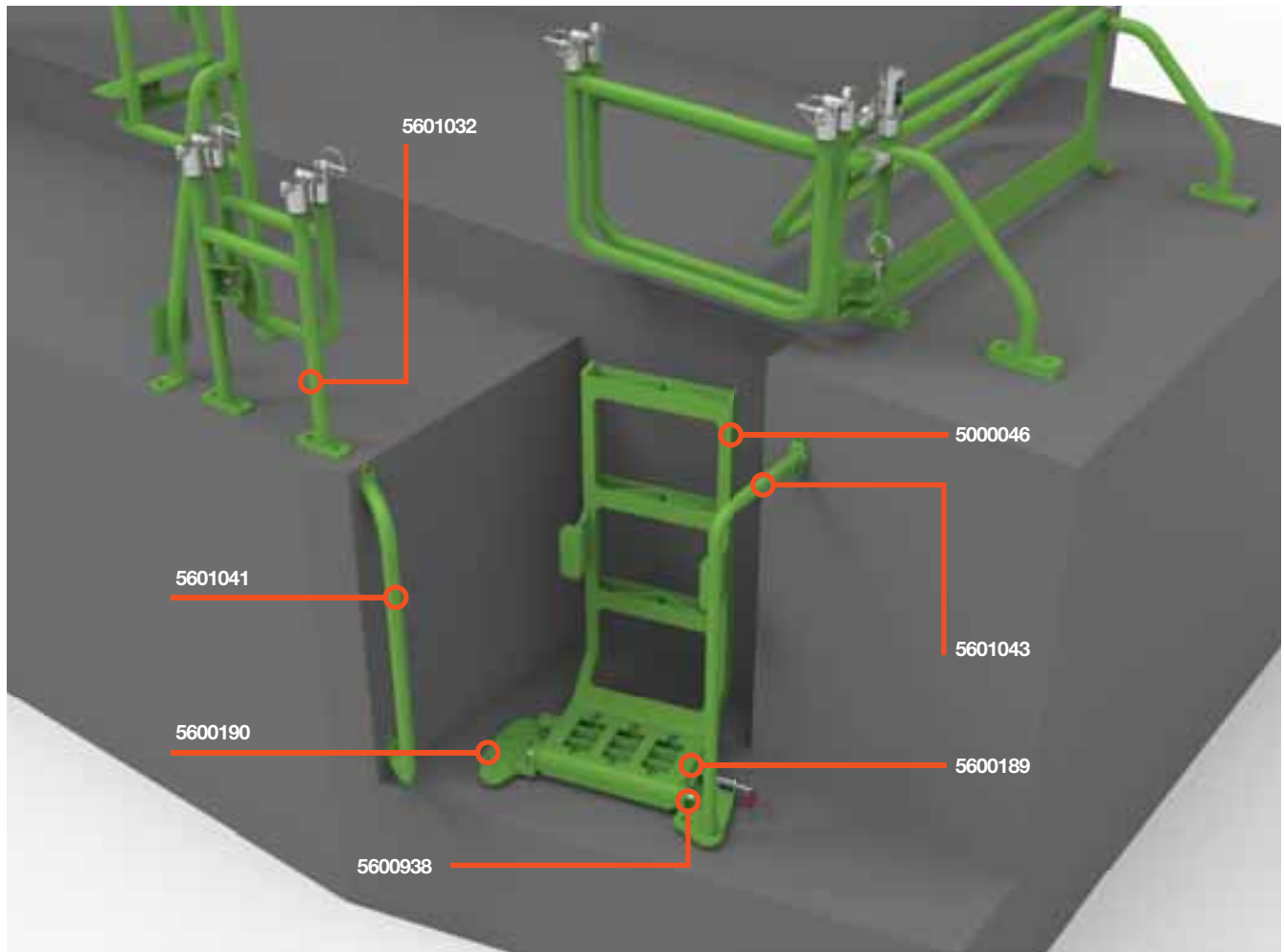


BEND-TECH

Caterpillar AD60 Truck



Handrail arrangement for Machines with Fire Suppression Unit



Caterpillar AD60 Truck



Handrail 5601032

OEM No. 443-4991



Handrail 5600571

OEM No. 311-5194



Handrail 5601043

OEM No. 338-6514



Plate 5600190

OEM No. 453-6178



Pin 5600938

OEM No. 311-5483



Ladder 5000046

NEW - OEM No. 515-8945
(OLD - OEM No. 338-6547)



Handrail 5601041

OEM No. 450-5395



Block 5600189

OEM No. 335-4773



Bumper 5001935

OEM No. 166-4225 (single unit)



5001935

UNDERGROUND MACHINE PRODUCTS



BEND-TECH

Caterpillar AD60 Truck

Certified / Compliant
with AUS Standards



CAT AD60 Rear Transmission Access Platform

A safe, certified and compliant access platform designed and engineered to access the mid-section on the Caterpillar AD60. Certified and compliant with Australian Standards

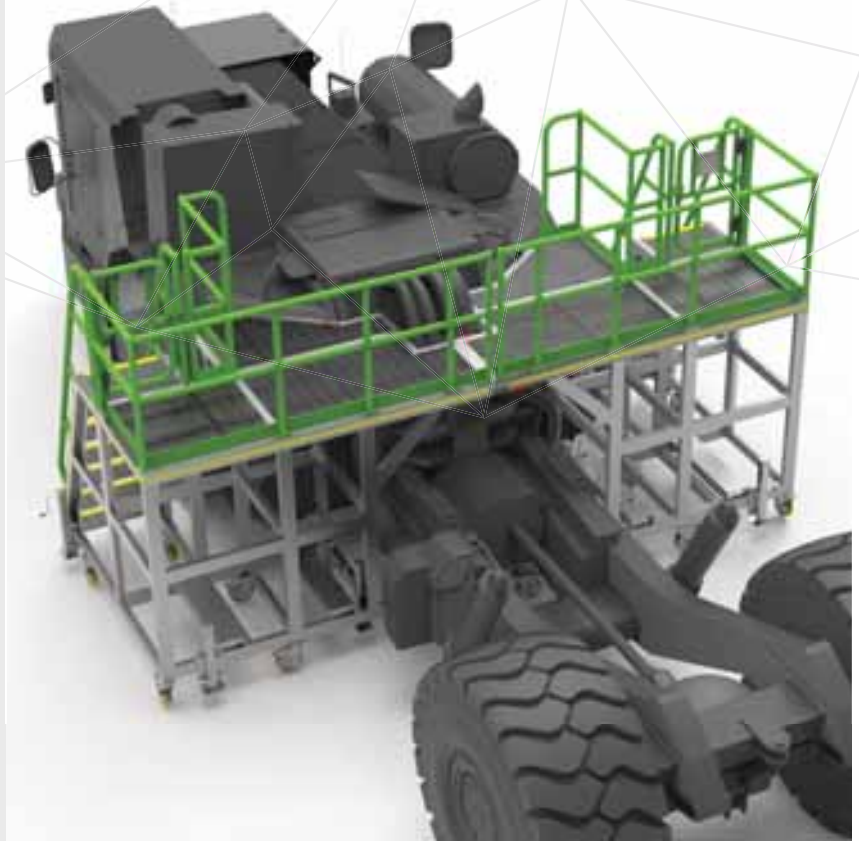
Construction: Full TIG welded,
heavy-duty aluminium
RHS construction

WLL: 250kg

Features:

- High quality castor wheels
- Forklift slots
- Fitted with jacking stands
- Self-closing gates

Part No. 5503486



CAT AD60 Front Access Platform

A certified access platform designed and engineered to provide safe and efficient access to the front end of the Caterpillar AD60. Certified and compliant with Australian Standards.

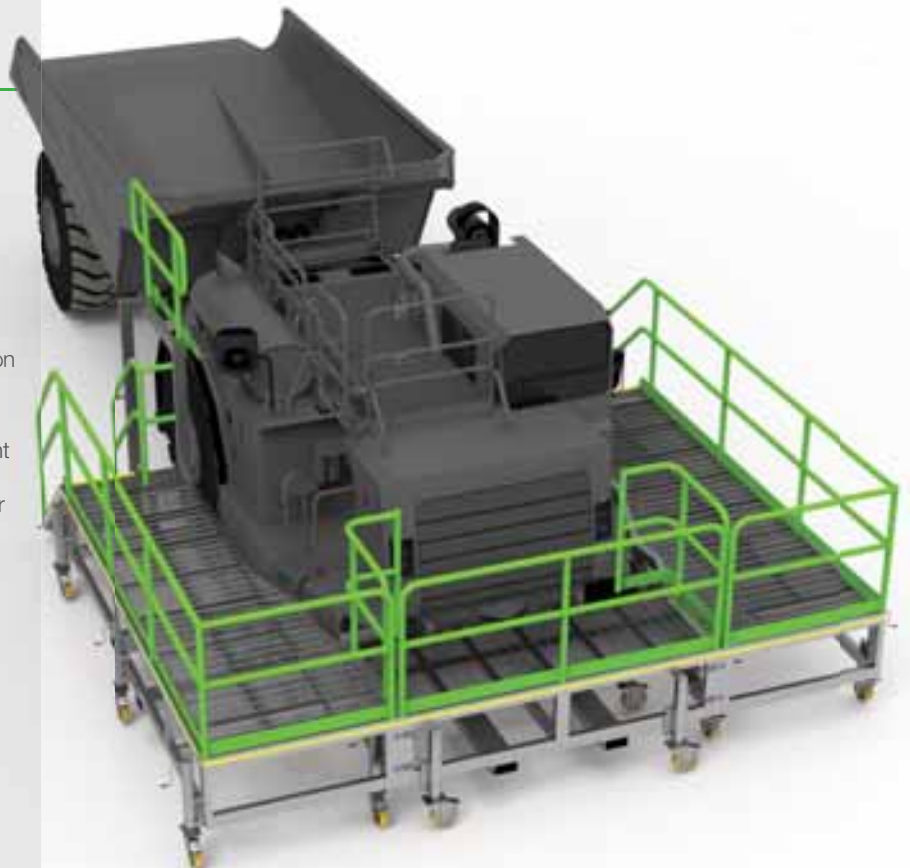
Construction: Full TIG welded,
heavy-duty aluminium
RHS construction

WLL: 600kg per platform section

Features:

- Platforms allow easy access to the front of the cab and around the sides
- Modular design, split into 3 sections for ease of transport and use
- Sections simply latch together
- Double height handrails at points to prevent falls
- Non-slip nosings on all stair treads
- Safety handrails with kickplates
- Drop-in removable handrails between sections
- High quality castor wheels
- Self-closing gates
- Forklift slots

Part No. 5503472



Caterpillar AD60 Truck



CAT AD60 Tub Transport Frame

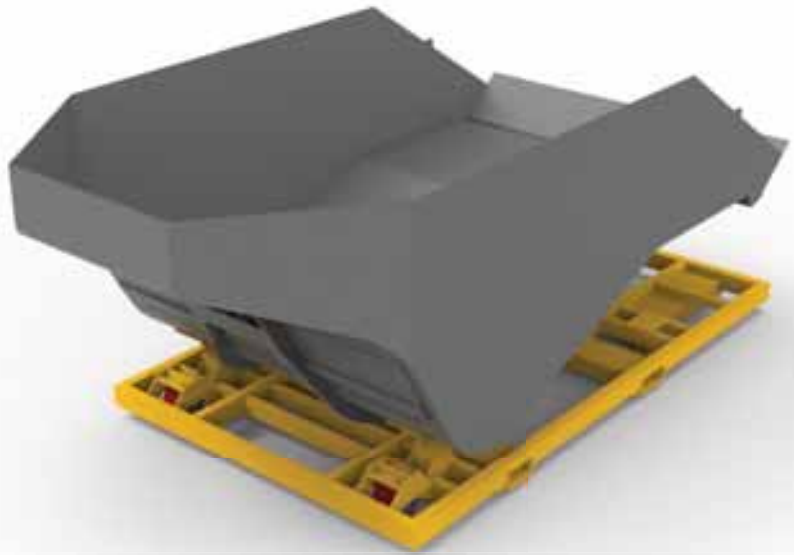
Our Transport Frame is designed and engineered for the safe, efficient and easy movement of Caterpillar AD60 tubs in the field.

Construction: Heavy-duty steel
WLL: 14T

Features:

- Rubber pads on contact surfaces
- Fitted with heavy-duty roller wheels
- Painted to specific requirements
- Forklift slots

Part No. 5303154



CAT AD60 Tub Workshop Frame

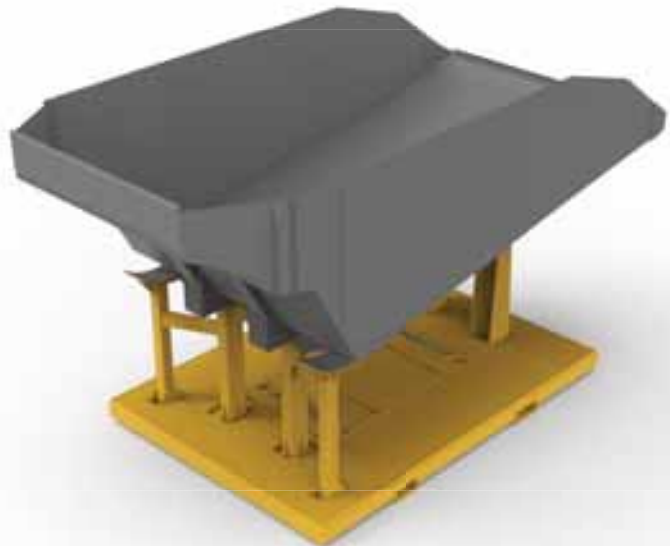
Our Workshop Frame is designed and engineered to allow for safe, efficient and easy maintenance or refurbishment of AD60 and MT65 tubs in the workshop.

Construction: Heavy-duty steel
WLL: 14T

Features:

- Rubber pads on contact surfaces
- Heavy-duty grating deck
- Painted to specific requirements
- Forklift slots

Part No. 5503154



CAT AD60 Skid Stand

A stand used for the skid on the Caterpillar AD60, engineered and certified in compliance with Australian Standards.

Construction: Heavy-duty steel
WLL: 25T

Features:

- Finished in Y-14 safety yellow
- Height: 550mm
- Forklift slots

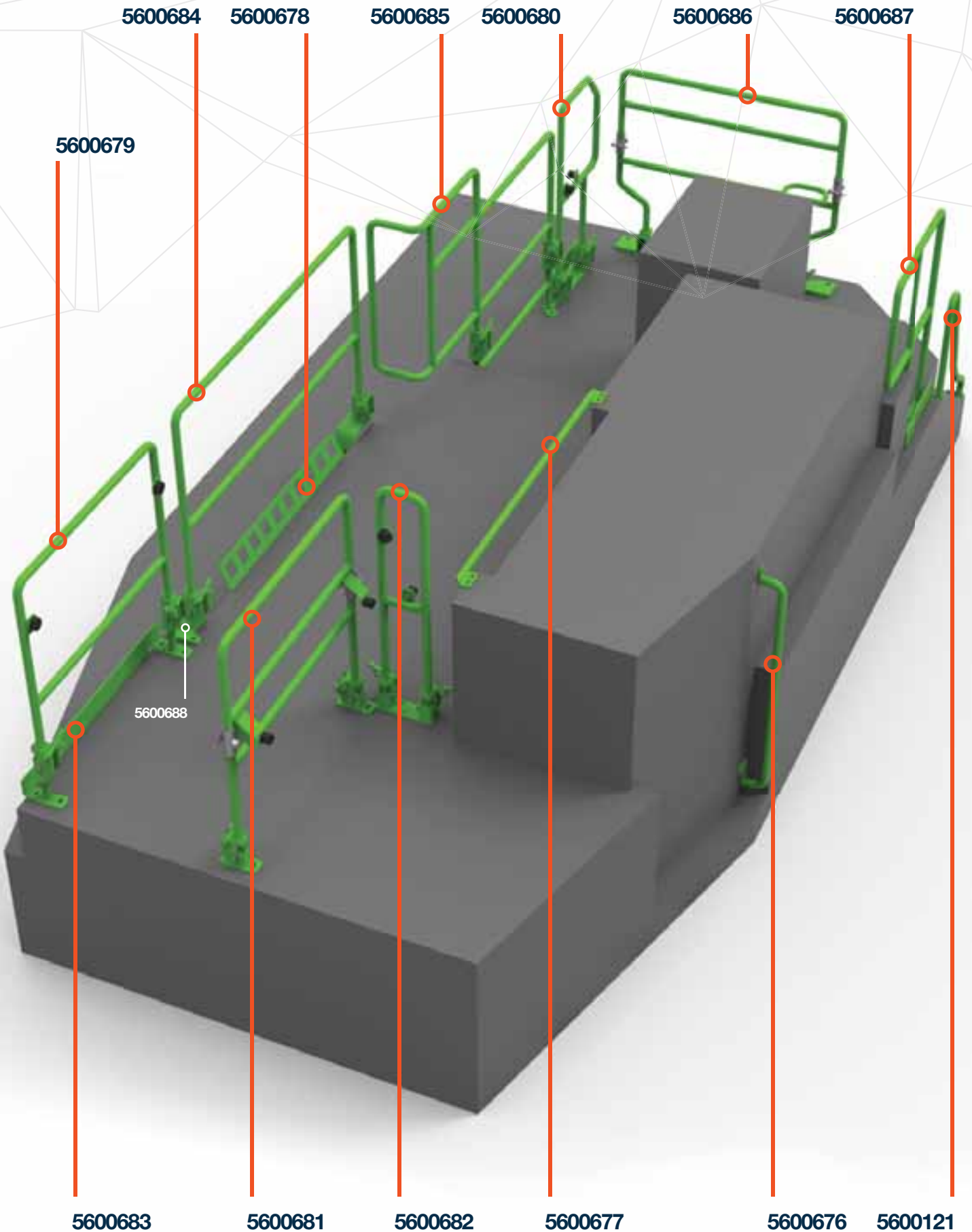
Part No. 5502519



A large yellow Caterpillar AD63 truck is shown in a dark, rocky underground mine. The truck is illuminated by its headlights, and the surrounding environment is dimly lit. A large yellow semi-transparent rectangle is overlaid on the left side of the image, containing the text 'Caterpillar AD63 Truck'. A dark blue geometric shape is overlaid on the bottom right of the image.

Caterpillar AD63 Truck

Caterpillar AD63 Truck



Caterpillar AD63 Truck



Handrail 5600684
OEM No. 557-5253



Handrail 5600681
OEM No. 548-9050



Handrail 5600679
OEM No. 548-5995



Handrail 5600686
OEM No. 557-5284



Handrail 5600685
OEM No. 557-5264



Handrail 5600687
OEM No. 557-5289



Handrail 5600682
OEM No. 557-5240



Handrail 5600680
OEM No. 548-9049



Handrail 5600676
OEM No. 540-2857



Plate 5600688
OEM No. 557-6438



Handrail 5600121
OEM No. TBA



Handrail 5600677
OEM No. 540-2860



Kickplate 5600683
OEM No. 557-5245



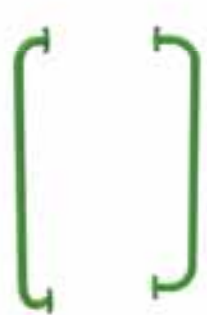
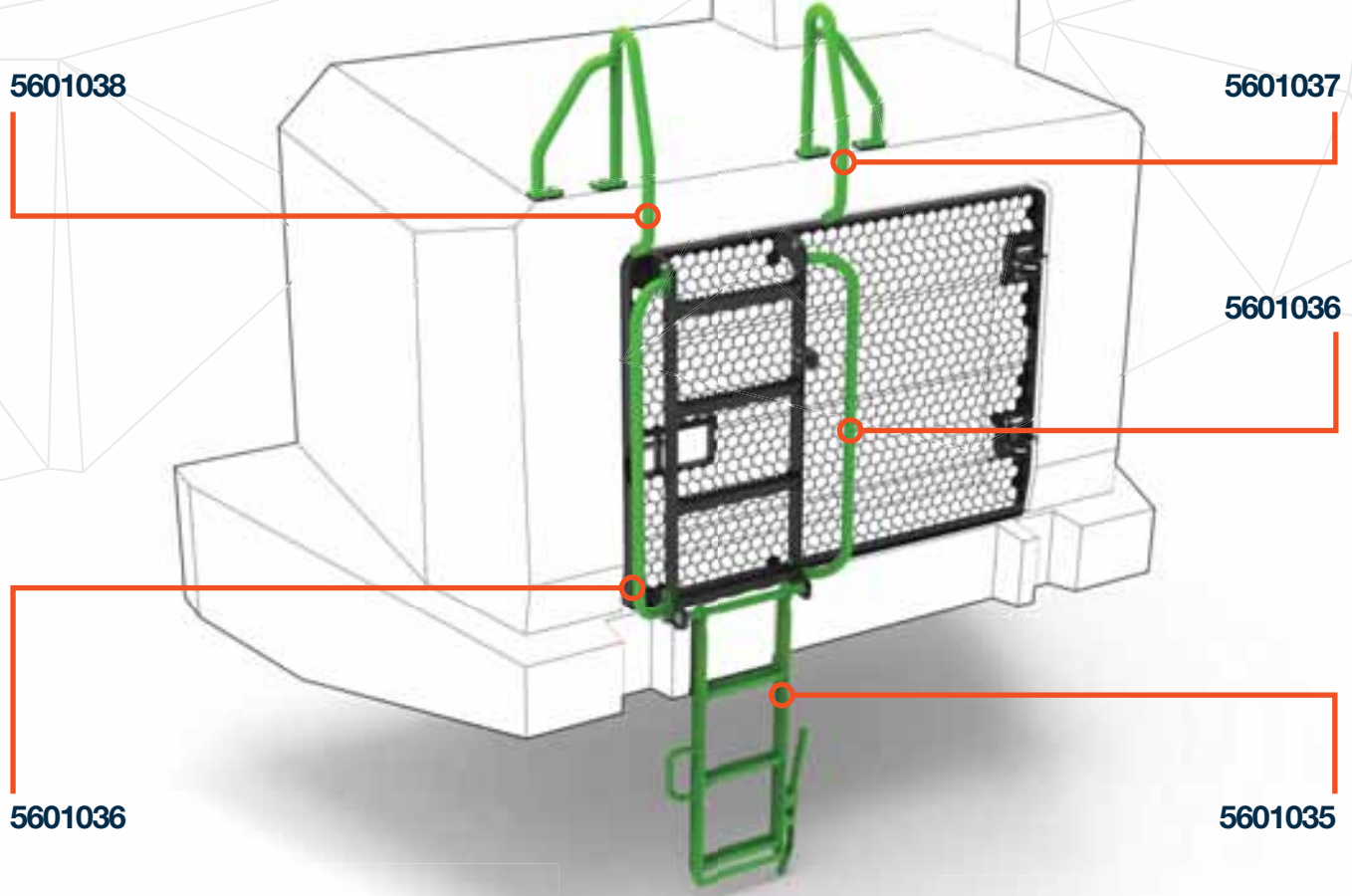
Kickplate 5600678
OEM No. 543-5339

UNDERGROUND MACHINE PRODUCTS



BEND-TECH

Caterpillar AD63 Truck



Handrail 5601036 (2 Required)
OEM No. 543-3655



Handrail 5601038
OEM No. 543-3779



Handrail 5601037
OEM No. 564-2857



Ladder 5601035
OEM No. 543-3652



Front Grille 5601039
OEM No. 543-3649



Bumper 5001935
OEM No. 166-4225 (single unit)

Caterpillar AD63 Truck



CAT AD63 Handrail Storage Rack

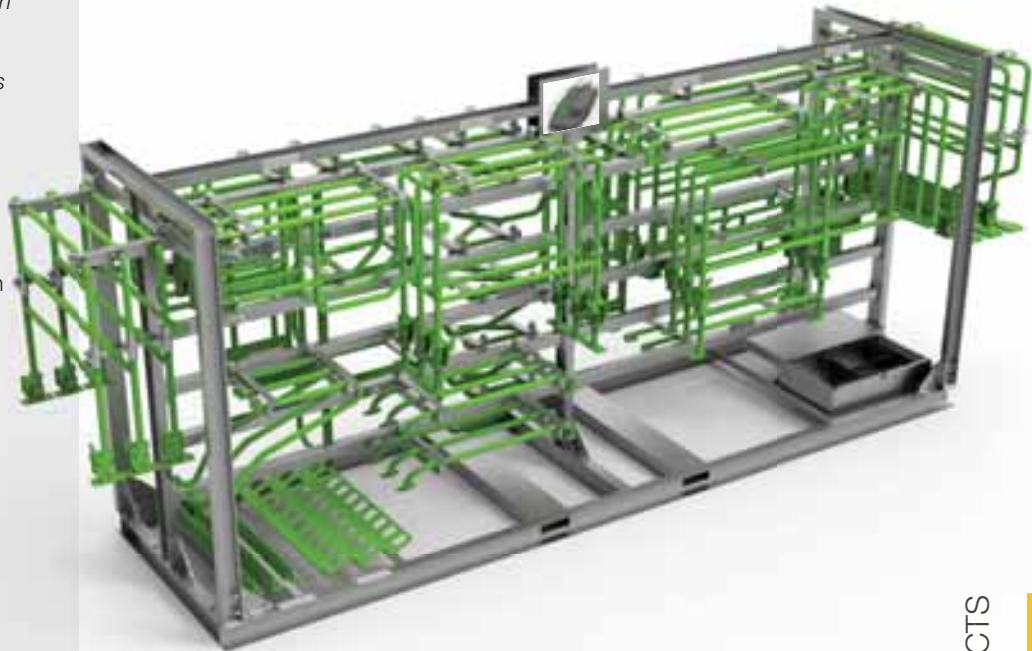
Suits Bend-tech's OEM replacement handrails. Certified and compliant with Australian Standards.

This handrail storage rack allows sites to access replacement handrails quickly and easily, without waiting for freight.

Construction: Heavy-duty steel

Features:

- Heavy-duty hot dip galvanised finish
- All required signage incorporated
- Rack capacity: 3 complete sets
- Handrails not included
- Forklift slots



Part No. 5507477

CAT AD63 Transmission Access Platform

A platform designed and engineered to allow technicians/operators to safely access the transmission for maintenance. LH and RH platforms lock together. Certified and compliant with Australian Standards.

Construction: Full TIG welded, heavy-duty aluminum RHS construction

WLL: 250KG

Features:

- Latch locking design
- Non-slip, serrated grating work deck and stair treads
- Non-slip nosings on all stair treads
- Bolt-on handrails with kickplates
- High quality castor wheels
- Heavy-duty levelling jacking stands
- Self-closing gates
- Forklift slots



Part No. 5506357



Caterpillar AD63 Truck

Certified / Compliant
with AUS Standards



CAT AD63 Tray / Tub Access Platform

A platform designed and engineered to provide safe and efficient access to the tray of the CAT AD63. Swing out gates block off gaps that technicians/operators could fall out of and can be wheeled or forklifted into position. Certified and compliant with Australian Standards.

Construction: Full TIG welded,
heavy-duty aluminum
RHS construction

WLL: 250KG

Features:

- Latch locking design
- Non-slip, serrated grating work deck and stair treads
- Non-slip nosings on all stair treads
- Bolt-on handrails with kickplates
- High quality castor wheels
- Heavy-duty levelling jacking stands
- Self-closing gates
- Swing gates with magnetic clamps
- Forklift slots

Part No. 5506359



CAT AD63 Front Access Platform

Platform to fit around the front of the machine for easier and safe access during maintenance. Covers both sides with step access either side. Can be wheeled or forklifted into position. Certified and compliant with Australian Standards.

Construction: Full TIG welded,
heavy-duty aluminum
RHS construction


WLL: 600KG

Features:

- 2 Piece Design, bolts together
- Latch locking design
- Non-slip, serrated grating work deck and stair treads
- Non-slip nosings on all stair treads
- Bolt-on handrails with kickplates
- High quality castor wheels
- Heavy-duty levelling jacking stands
- Self-closing gates
- Removable handrails
- Forklift slots

Part No. 5506355





Epiroc
MT42 Truck

Epiroc MT42 Truck



5600170

5600171

5600169

5600168

5600167

Epiroc MT42 Truck



Handrail 5600167



Handrail 5600168



Handrail 5600169



Handrail 5600170

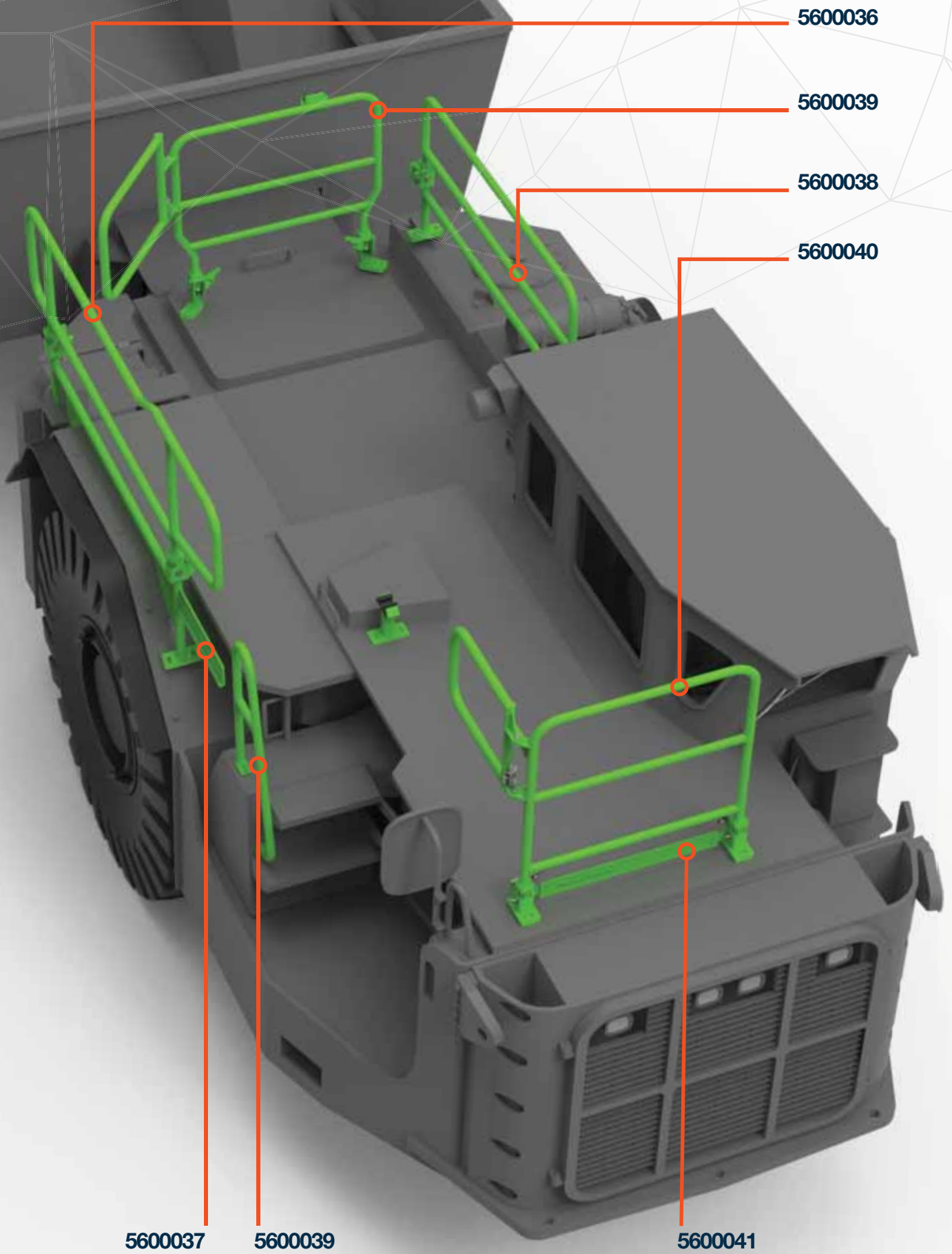


Handrail 5600171



Epiroc
MT2010 Truck

Epiroc MT2010 Truck



Epiroc MT2010 Truck



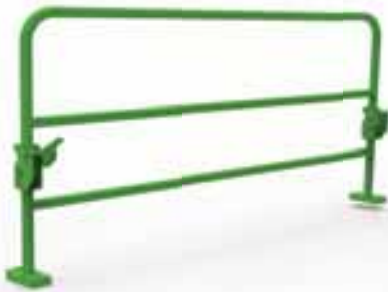
Handrail 5600035



Handrail 5600036



Handrail 5600040



Handrail 5600038



Handrail 5600039



Kickplate 5600037



Kickplate 5600041

A yellow Epiroc mining truck is shown in a dark, underground environment. The truck is illuminated by a bright yellow light source, possibly a headlamp or work light. The word "MINETRUCK" is visible on the side of the vehicle. The truck has large, heavy-duty tires and a prominent front grille. A semi-transparent grey box is overlaid on the left side of the image, containing the text "Epiroc MT5020 / MT6020 Truck".

Epiroc MT5020 / MT6020 Truck

Epiroc MT5020 / MT6020 Truck - Tier 1

5001799

5001797

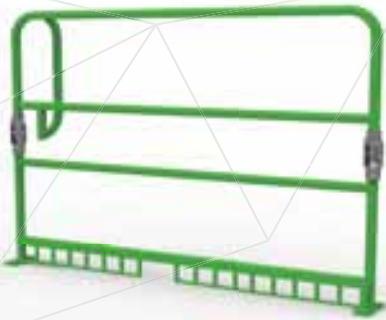
5001800

5001798

5001801

5001796

Epiroc MT5020 / MT6020 Truck - Tier 1



Handrail 5001796



Handrail 5001797



Handrail 5001798



Handrail 5001799



Handrail 5001800



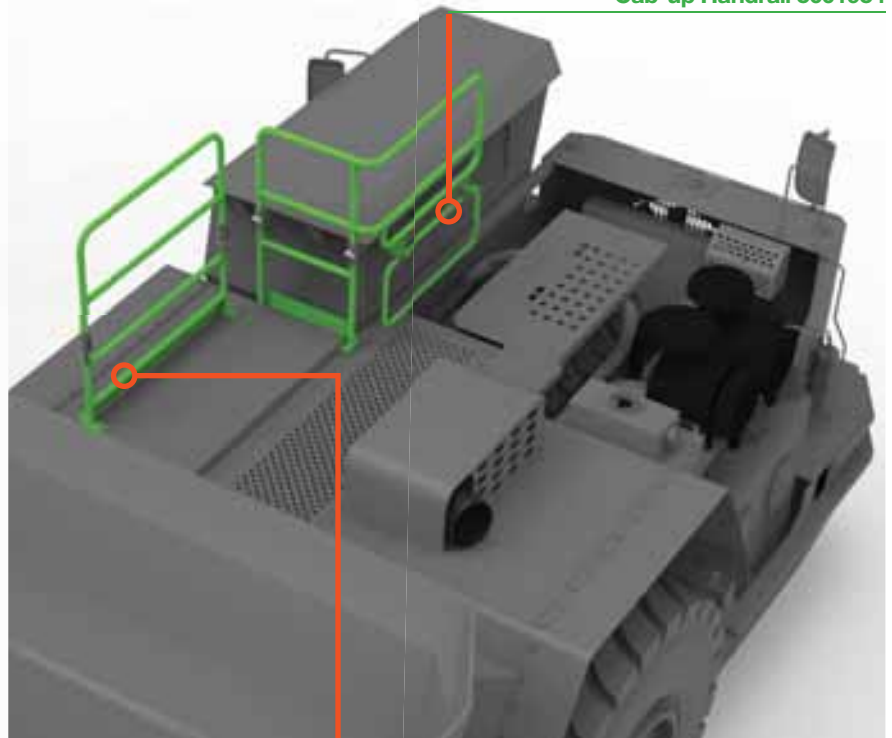
Handrail 5001801



Handrail 5001930

* This handrail is designed for trucks that have recool aircon vent fitted.
Replaces 5001799

Cab-up Handrail 5001954



Tier 1 & 2 Handrail 5001953



Epiroc MT5020 / MT6020 Truck - Tier 2

5001799

5001797

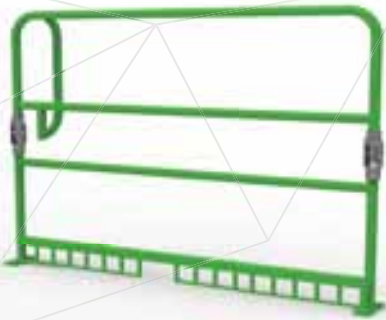
5001800

5001798

5001802

5001796

Epiroc MT6020 Truck - Tier 2



Handrail 5001796



Handrail 5001797



Handrail 5001798



Handrail 5001799



Handrail 5001800



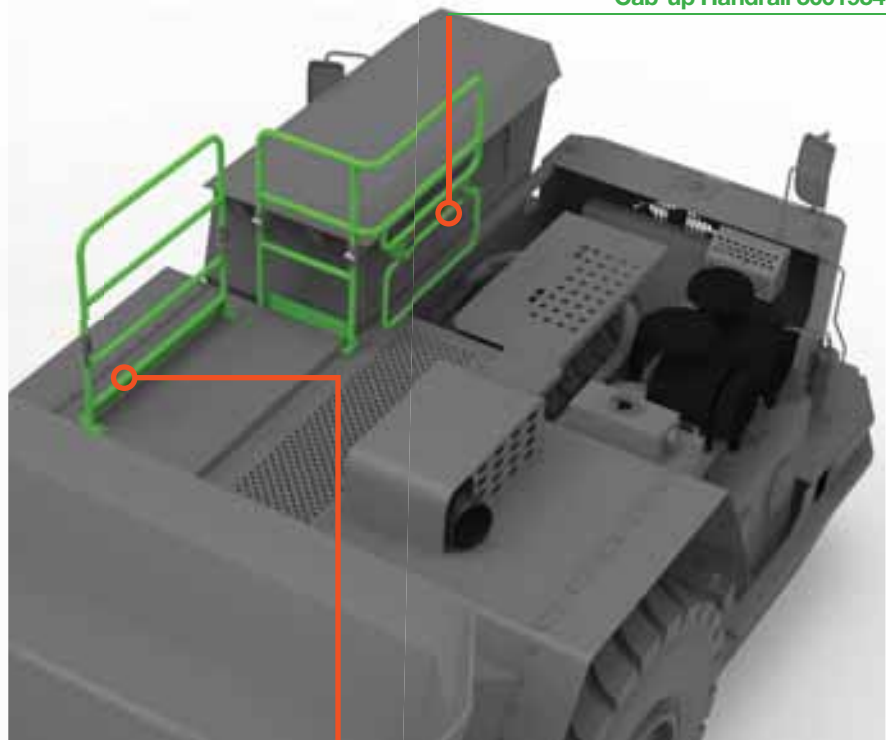
Handrail 5001802



Handrail 5001930

* This handrail is designed for trucks that have recool aircon vent fitted.
Replaces 5001799

Cab-up Handrail 5001954



Tier 1 & 2 Handrail 5001953

UNDERGROUND MACHINE PRODUCTS



BEND-TECH

Epiroc MT6020 Truck - Tier 2



Epiroc MT6020 Tier 2 Handrail Storage Rack

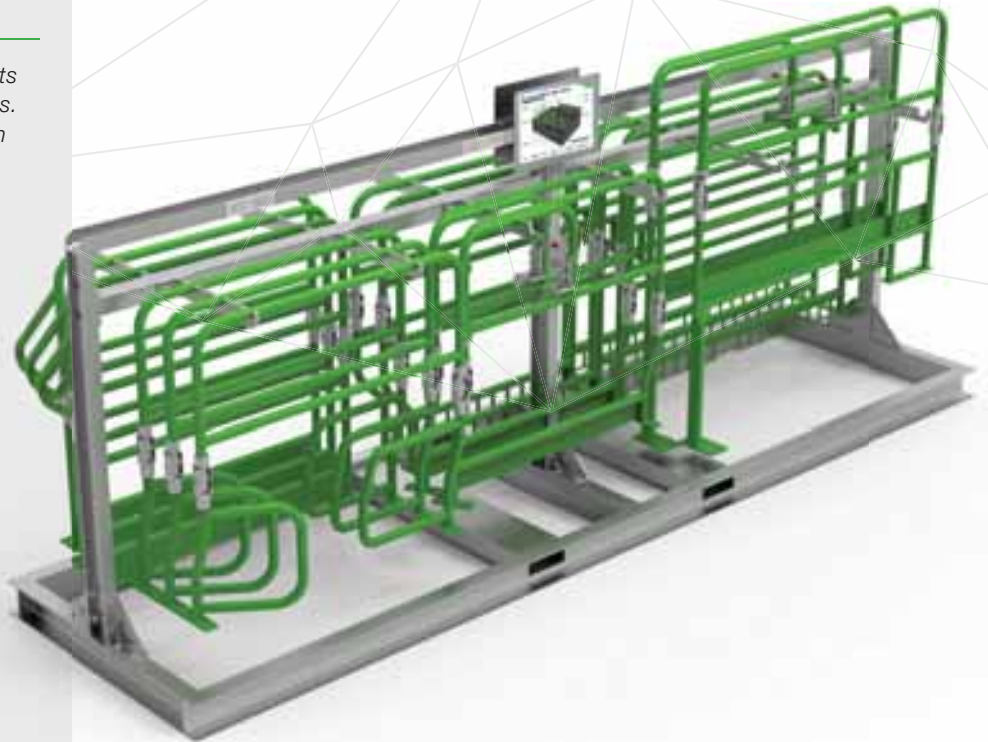
Epiroc MT6020 Handrail – full set. Suits Bend-tech OEM replacement handrails. Certified and compliant with Australian Standards.

This handrail storage rack allows sites to access replacement handrails quickly and easily, without waiting for freight.

Construction: Heavy-duty steel

Features:

- Heavy-duty hot dip galvanised finish
- All required signage incorporated
- Rack capacity: 3 complete sets
- Handrails not included
- Forklift slots



Part No. 5503985

Epiroc MT6020 Hydraulic Ram Clamp Set – 1780MM

Our tub lifting ram clamp is designed and engineered for the Epiroc MT5020 and MT6020 underground machines.

We designed this solution due to the OEM lockout devices not providing enough height for critical maintenance to the rear axle and diff area.

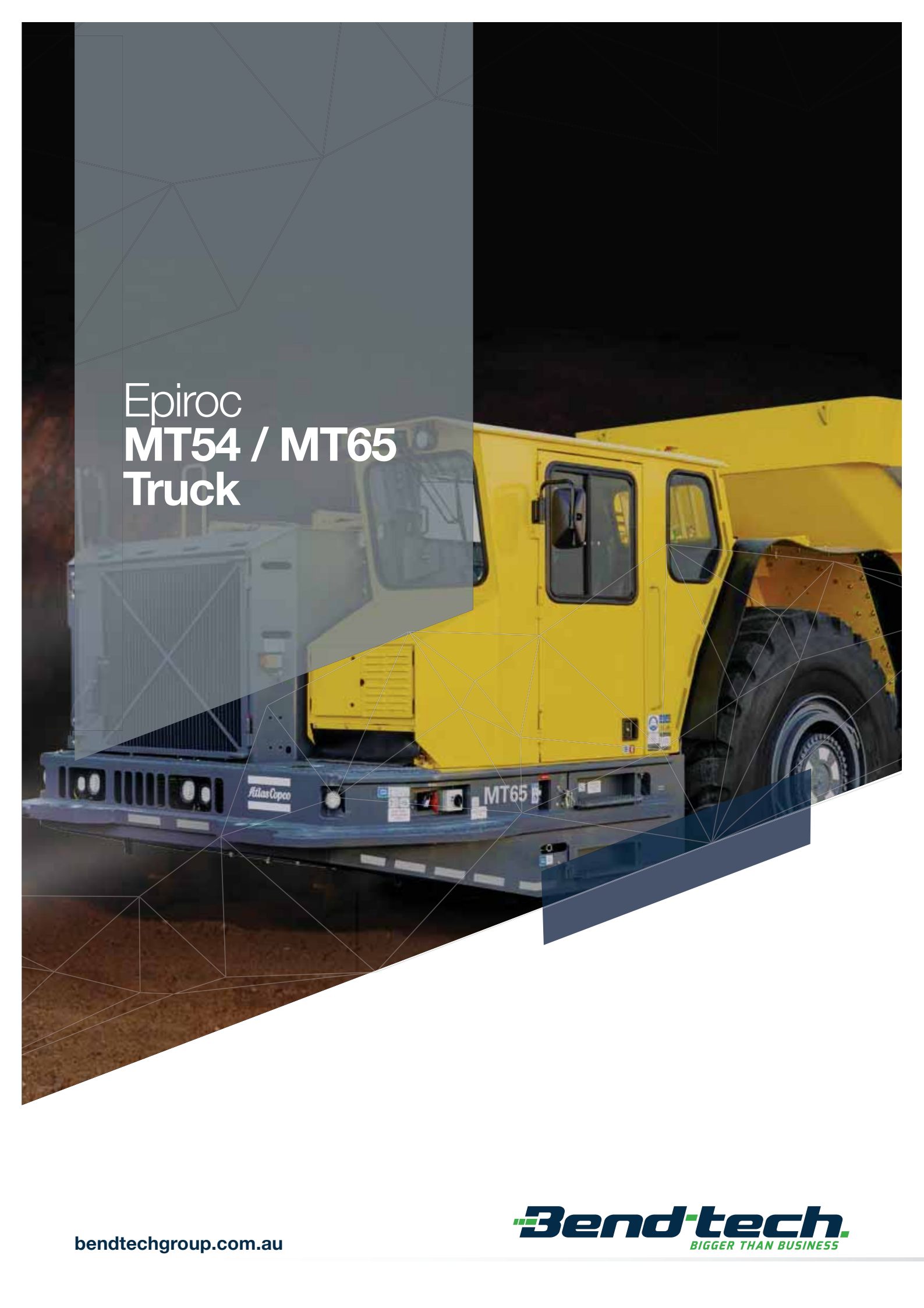
WLL: 8T WLL each set

Features:

- Safe and supported load during maintenance
- Certified and compliant with Australian Standards
- Provides the height and safety required for maintenance
- Easy to install and lock into place
- Allows necessary access to the rear axle and diff area
- Load rated handles for hoist install
- Set includes two Clamps
- Suits Tier 1 and Tier 2



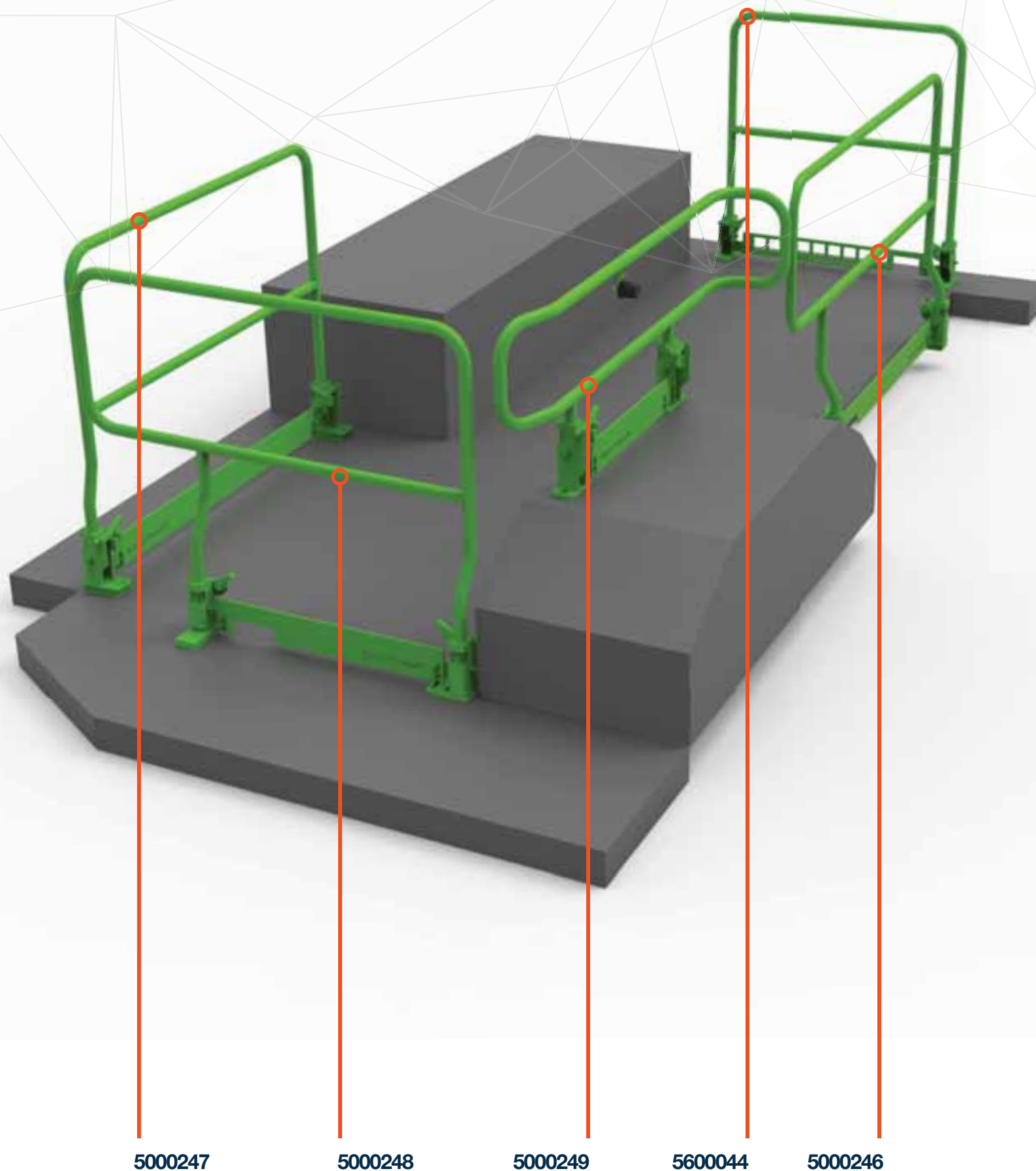
Part No. 5502784

A large yellow and blue Epiroc MT54 / MT65 truck is shown from a front-three-quarter view. The truck has a blue chassis and a yellow cab. The front grille is blue with a silver mesh. The bumper is blue and features the 'Atlas Copco' logo on the left and 'MT65' on the right. The truck is parked on a dark, textured surface. A semi-transparent grey geometric pattern is overlaid on the left side of the image.

Epiroc MT54 / MT65 Truck

Epiroc MT54 / MT65 Truck

- 2017 & Prior



Epiroc MT54 / MT65 Truck

- 2017 & Prior



Handrail 5600044



Handrail 5000246



Handrail 5000247



Handrail 5000248



Handrail 5000249



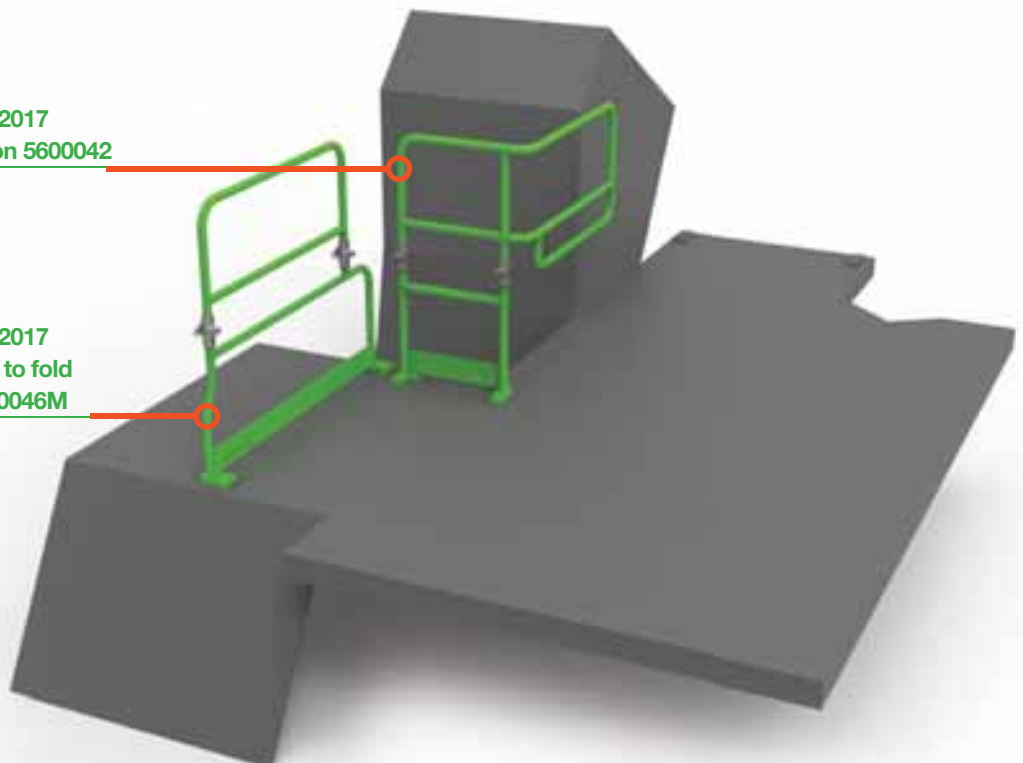
Grab Rail 1
- 5600060



Grab Rail 3
- 5600059

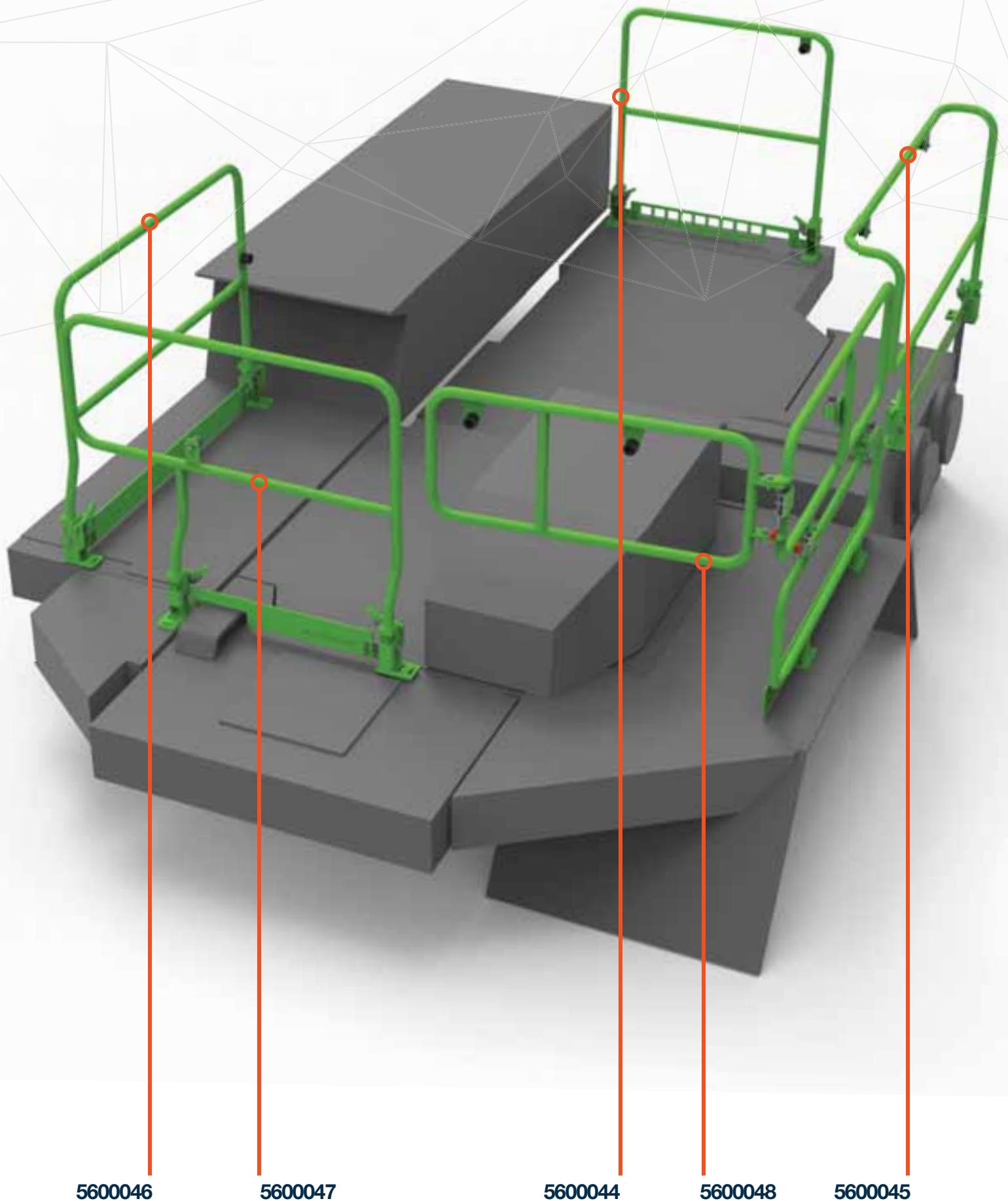
Epiroc MT65 Truck - Prior to 2017
Guard Rail for Cab-up position 5600042

Epiroc MT65 Truck - Prior to 2017
Guard Rail LH Rear modified to fold
around Cab-Up Handrail 5600046M



Epiroc MT54 / MT65 Truck

- 2017 & Beyond



5600046

5600047

5600044

5600048

5600045

Epiroc MT54 / MT65 Truck

- 2017 & Beyond



Handrail 5600044

Suits MT65 Truck - Front



Handrail 5600045

Suits MT65 Truck - RH Front



Handrail 5600046

Suits MT65 Truck - LH Rear



Handrail 5600047

Suits MT65 Truck - Rear



Handrail 5600048

Suits MT65 Truck - Exhaust Handrail



**Grab Rail 1
- 5600060**



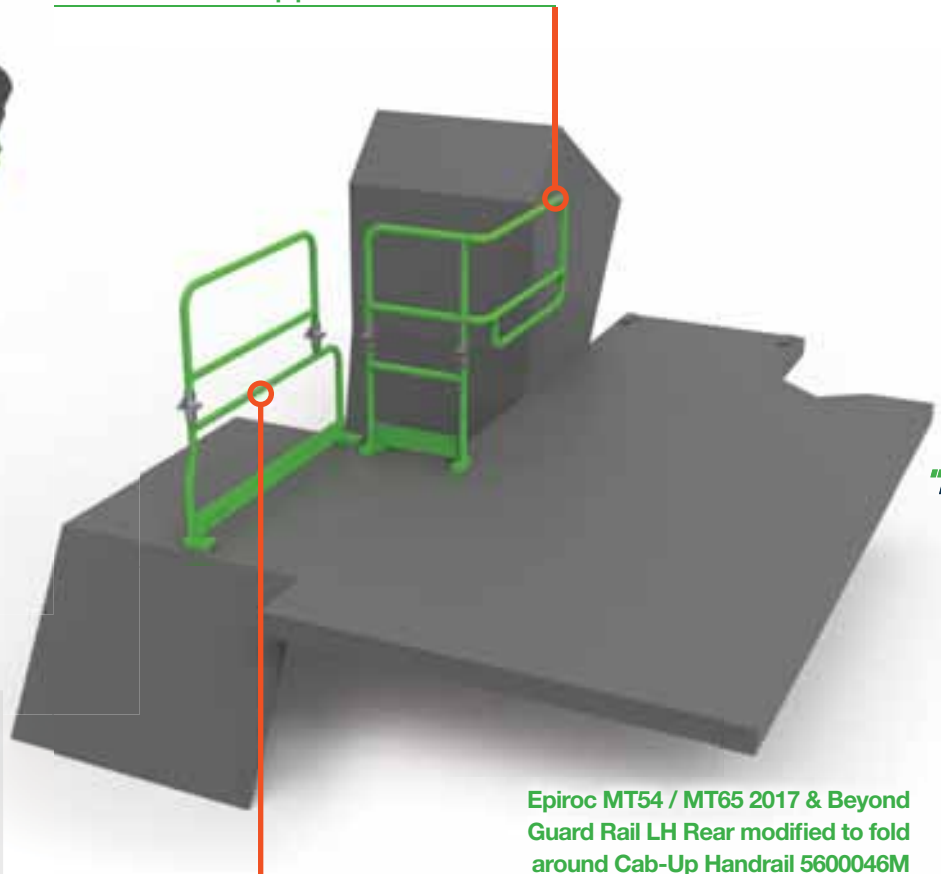
**Grab Rail 3
- 5600059**



Tub Ram Clamp Set 5503172

- WLL:** 8T each side
- Set includes two clamps
 - Suits MT65 Prior and Beyond 2017 year builds

**Epiroc MT54 / MT65 2017 & Beyond
Guard Rail for Cab-up position 5600042**



**Epiroc MT54 / MT65 2017 & Beyond
Guard Rail LH Rear modified to fold
around Cab-Up Handrail 5600046M**



Epiroc MT54 / MT65 Truck - 2017 & Beyond



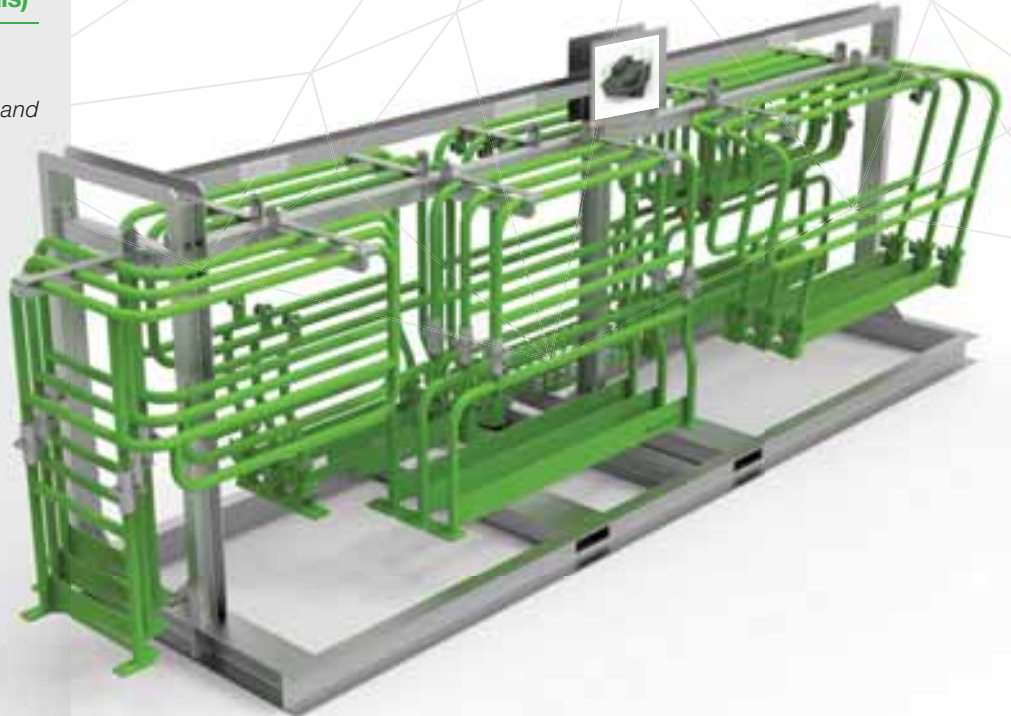
Epiroc MT54 / MT65 Truck Handrail Storage Rack (Accommodates cab-up handrails)

Epiroc MT54 / MT65 Truck Handrail – full set. Suits Bend-tech OEM replacement handrails. Certified and compliant with Australian Standards. This handrail storage rack allows sites to access replacement handrails quickly and easily, without waiting for freight.

Construction: Heavy-duty steel

Features:

- Heavy-duty hot dip galvanised finish
- All required signage incorporated
- Rack capacity: 3 complete sets
- Accommodates cab-up handrails
- Handrails not included
- Forklift slots



Part No. 5600816

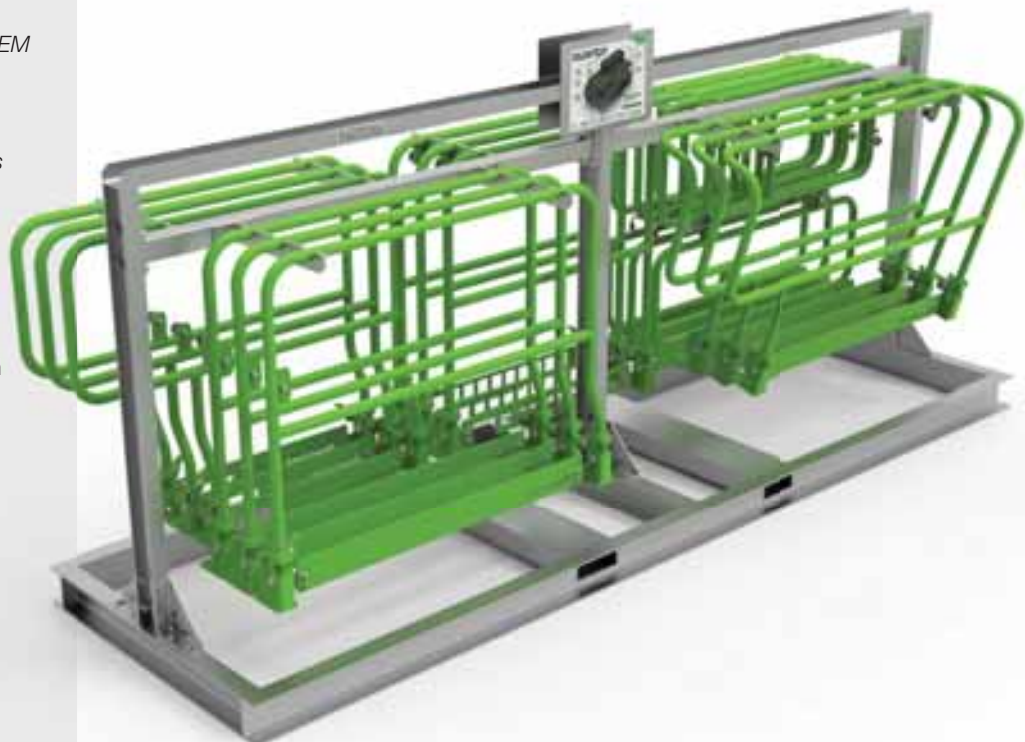
Epiroc MT65 Handrail Storage Rack

Epiroc MT65 2017 and Beyond Handrail – full set. Suits Bend-tech OEM replacement handrails. Certified and compliant with Australian Standards. This handrail storage rack allows sites to access replacement handrails quickly and easily, without waiting for freight.

Construction: Heavy-duty steel

Features:

- Heavy-duty hot dip galvanised finish
- All required signage incorporated
- Rack capacity: 3 complete sets
- Handrails not included
- Forklift slots



Part No. 5502897

Epiroc MT54 / MT65 Truck

Epiroc MT65 Rear Tray Access Platform

A platform designed and engineered to provide safe and efficient access to the rear tray of the Epiroc MT65 for maintenance and inspection. Certified and compliant with Australian Standards.

Construction: Heavy duty aluminium

Features:

- Fitted with removable handrails
- Fitted with heavy-duty castors
- Fitted with jacking stands
- Forklift slots



Part No. 5503288

Epiroc MT65 Transmission Access Platform

A platform designed and engineered to provide safe and efficient access to the transmission area of the Epiroc MT65 for maintenance and inspection. Certified and compliant with Australian Standards.

Construction: Heavy-duty welded aluminium

WLL: 250kg

Features:

- Fitted with heavy-duty castors
- Fitted with jacking stands
- Fitted with self-closing gates



Part No. 5503302

Epiroc MT54 / MT65 Truck

Certified / Compliant
with AUS Standards



Epiroc MT65 Front Access Platform Set

A platform designed and engineered to provide safe and efficient access around the front of the Epiroc MT65 for maintenance and inspection. Certified and compliant with Australian Standards.

Construction: Heavy duty aluminium

Features:

- Fitted with removable handrails
- Fitted with heavy-duty castors
- Fitted with jacking stands
- Forklift slots



Part No. 5503190

Epiroc MT65 Oil Point Access Platform

A platform designed and engineered to provide safe and efficient access to the oil changing point of the Epiroc MT65 for maintenance and inspection. Certified and compliant with Australian Standards.

Construction: Heavy duty aluminium

WLL: 150kg

Features:

- Non-slip stairway and work area
- Self-closing gate
- Lifting lugs
- Fitted with heavy-duty castors
- Forklift slots



Part No. 5503982

Epiroc MT54 / MT65 Truck

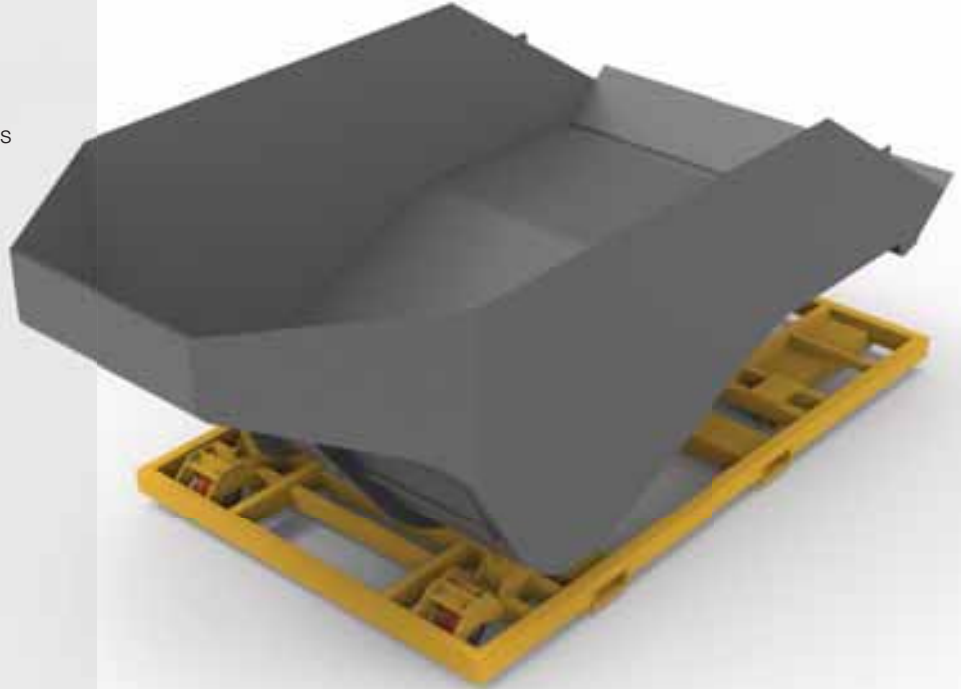
Epiroc MT65 Tray Transport Frame

Construction: Heavy duty steel

WLL: 14T

Features:

- Rubber pads on contact surfaces
- Fitted with heavy-duty roller wheels
- Rated tie-down points
- Forklift slots



Part No. 5403154

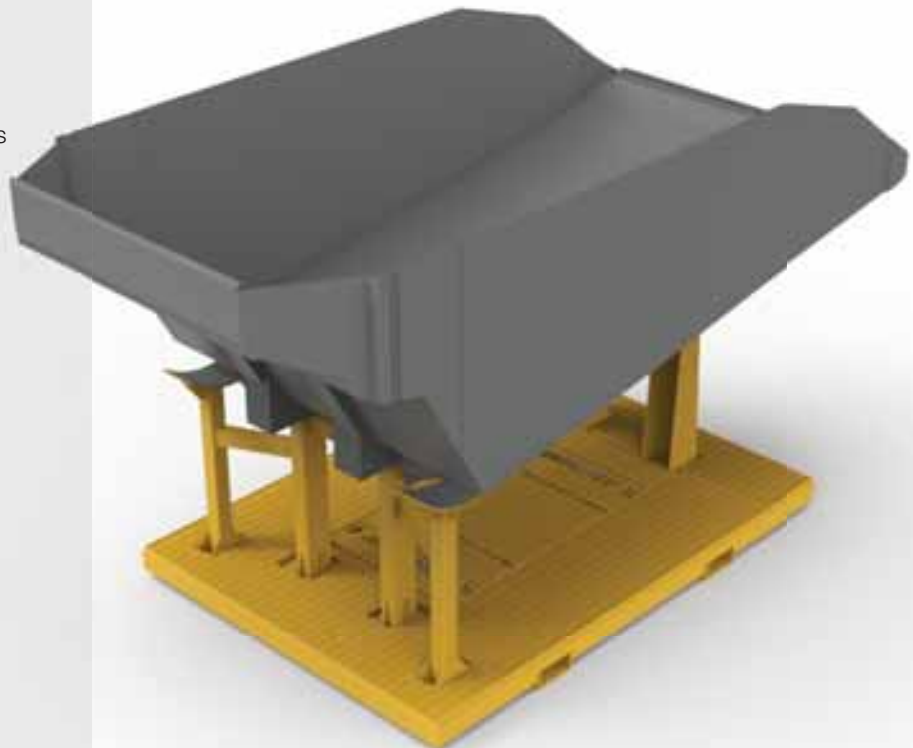
MT65-AD60 Tray Workshop Frame

Construction: Heavy duty steel

WLL: 14T

Features:

- Rubber pads on contact surfaces
- Fitted with heavy-duty roller wheels
- Rated tie-down points
- Forklift slots



Part No. 5503154

Epiroc MT54 / MT65 Truck

Epiroc MT65 Hydraulic Ram Clamps

Designed and engineered to provide safe lockout for critical maintenance. This design is suited to workshops unable to lockout the tub to its full height. Certified and compliant with Australian Standards.

Construction: Heavy duty steel
WLL: 16T

Features:

- 2x ram lockout clamps
- Nylon strip on inside to protect cylinder
- Detent pins to stop support coming off
- Lifting handles & lifting lug
- Powder coated in Citronella Green

**Epiroc MT65
Hydraulic Ram Clamp - 663mm
5507739**

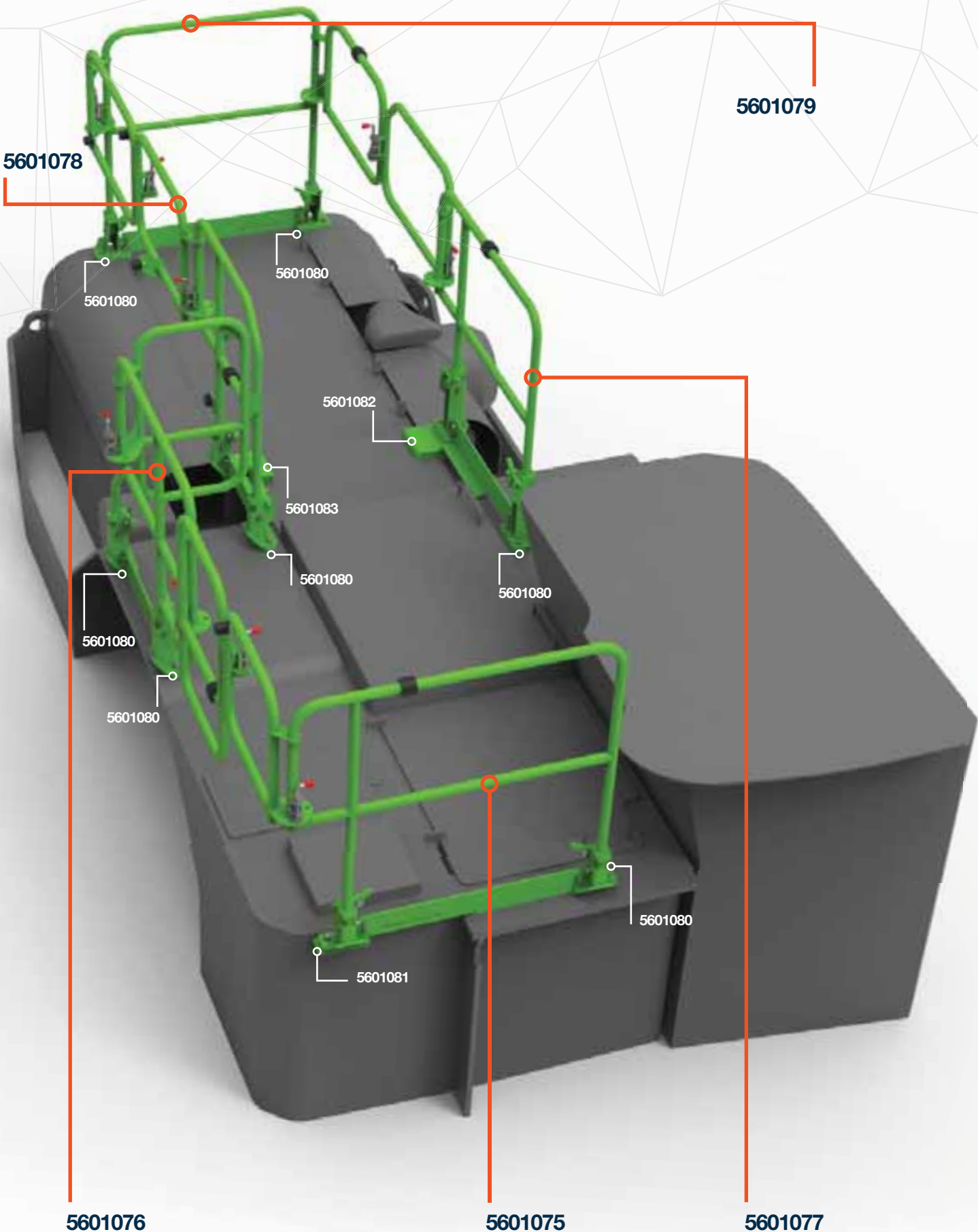
**Epiroc MT65
Hydraulic Ram Clamp Set - 1834MM
5503172**



A large yellow Epiroc ST1030 loader is shown in a dark underground mine. The loader is illuminated by bright headlights, and its large, treaded tires are visible. The background shows the rough, rocky walls of the mine. A semi-transparent grey box is overlaid on the left side of the image, containing the text 'Epiroc ST1030 Loader'.

Epiroc
ST1030 Loader

Epiroc ST1030 Loader



Epiroc ST1030 Loader



Handrail Front 5601075



Handrail RH Front 5601076



Handrail LH 5601077



Handrail RH 5601078



Handrail Rear 5601079



Mount Plate 1 5601080
(7 Required)



Mounting Plate 2 5601081
(1 Required)



Mounting Plate 3 5601082
(1 Required)



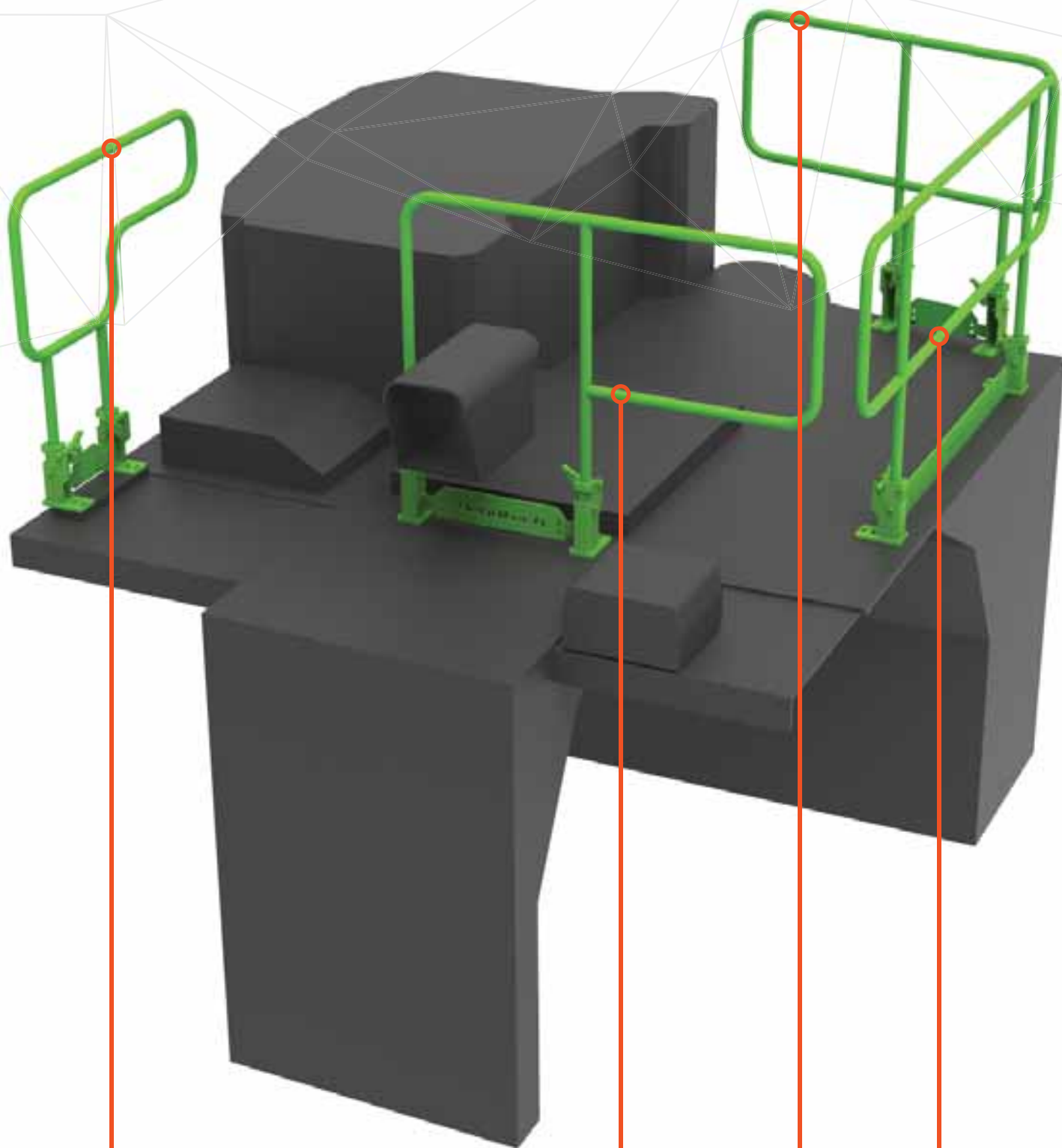
Mount Plate 4 5601083
(1 Required)



Epiroc ST14 Loader

ST14
BATTERY

Epiroc ST14 Loader



5600267*

5600265*

5600268*

5600266*

** Part numbers may have changed - as we are currently working on an updated design*

Epiroc ST14 Loader



FRONT Handrail 5600268*



RIGHT Handrail 5600266*



REAR Handrail 5600265*



LEFT Handrail 5600267*

** Part numbers may have changed - as we are currently working on an updated design*

Epiroc Boomer M



Epiroc Boomer M Jackstand Clamp

Our jack leg clamps are designed and engineered for safe maintenance on the Epiroc underground drills. Provides a safe solution for lockout during maintenance and is certified and compliant with Australian Standards.

Construction: Heavy duty steel

WLL: 15T

Tare Weight: 8kg

Features:

- Load rated lifting handles
- Hinges and pin locking system
- Blasted, primed and finished in Kawasaki Green
- Easy to install and lock into place
- 4 required per set

Part No. 5503522



Epiroc Simba E7 Drill



Epiroc Simba E7 Drill Front Jackstand Clamp

Construction: Heavy duty steel

WLL: 30T

Tare Weight: 8.13kg

- Load rated lifting handles
- Hinges and pin locking system
- Blasted, primed and finished in Kawasaki Green
- Easy to install and lock into place
- 2 required per set

Part No. 5505585



Epiroc Simba E7 Drill Rear Jackstand Clamp

Construction: Heavy duty steel

WLL: 30T

Tare Weight: 12.5kg

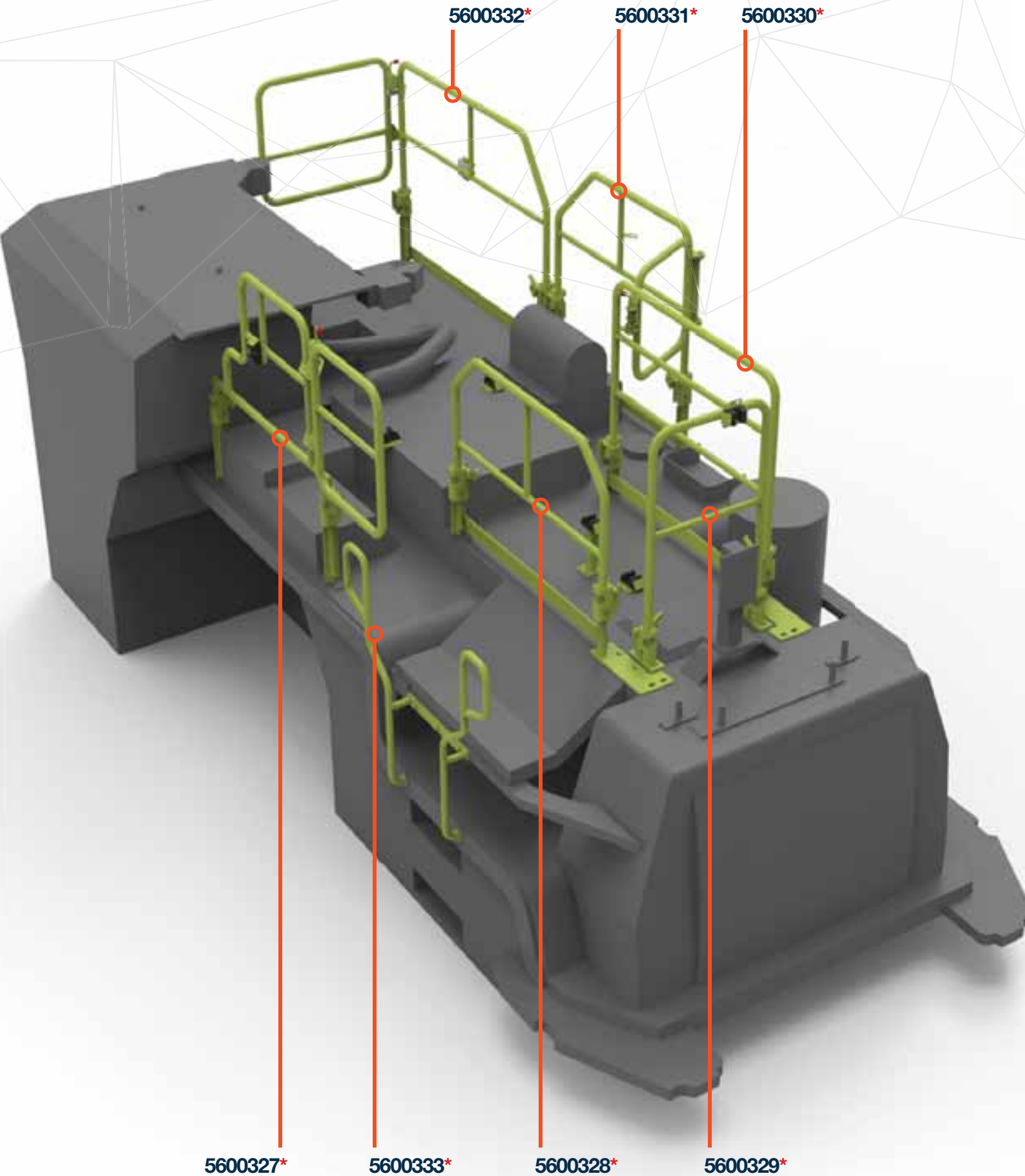
- Load rated lifting handles
- Hinges and pin locking system
- Blasted, primed and finished in Kawasaki Green
- Easy to install and lock into place
- 2 required per set

Part No. 5405585



Sandvik
LH307 Loader

Sandvik LH307 Loader



** Part numbers may have changed - as we are currently working on an updated design*

Sandvik LH307 Loader



Mid Left Handrail 5600328*



Ladder Handrail 5600333*



**Front Right Handrail
with Mount 5600332***



Mid Right Handrail 5600331*



Rear Right Handrail 5600330*



Rear Handrail 5600329*



Front Left Handrail 5600327



Loader Bucket Bumper 5600860
OEM No. 56043968

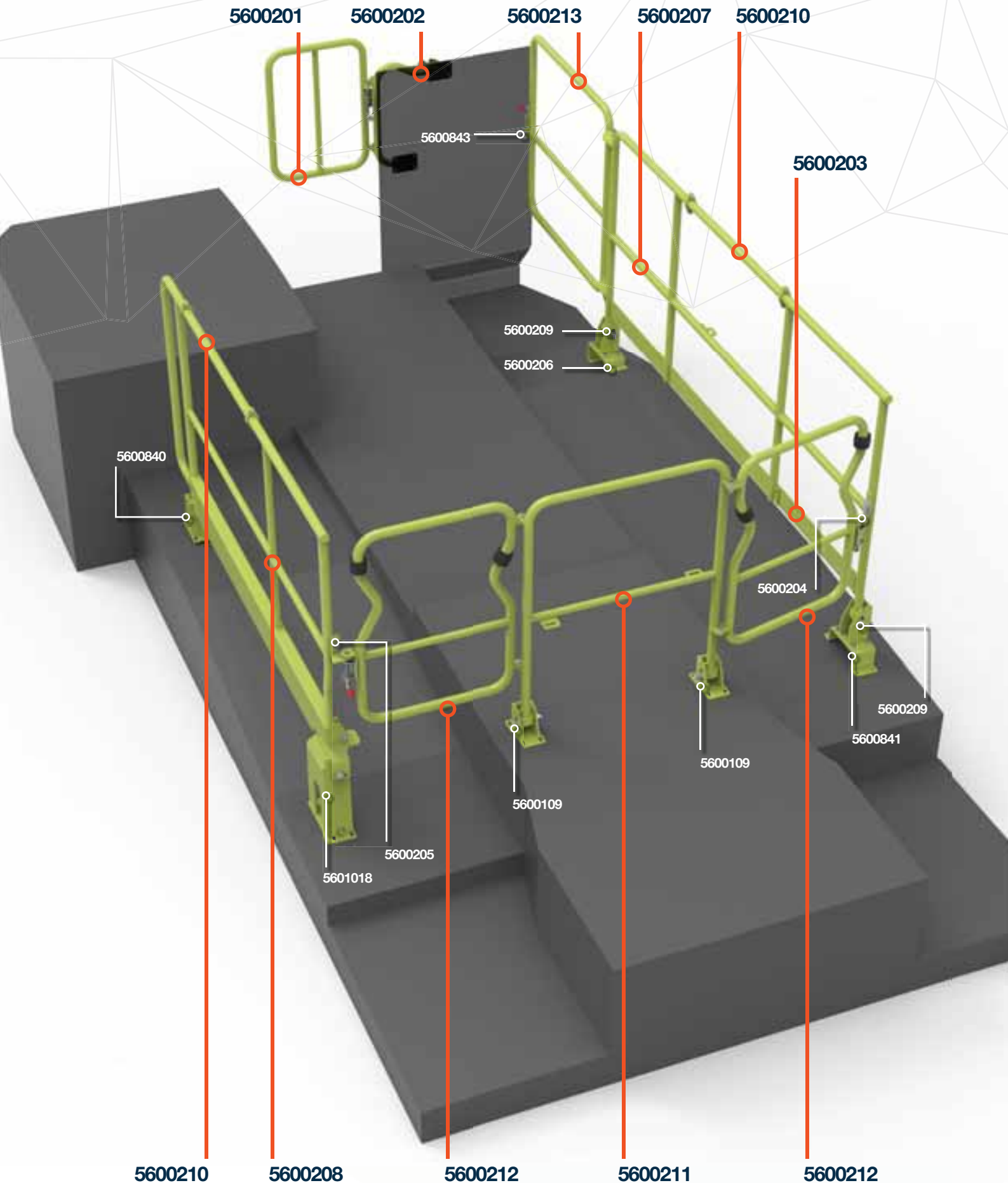


** Part numbers may have changed - as we are currently working on an updated design*

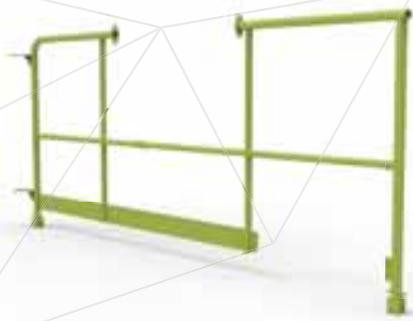


Sandvik
LH514 Loader

Sandvik LH514 Loader



Sandvik LH514 Loader



Handrail 5600207

OEM No. 56027403



Handrail 5600210 (2 Required)

OEM No. 56036363



Handrail 5600202

OEM No. BG00612434



Handrail 5600201

OEM No. BG00612435



Handrail 5600211

OEM No. 56027408



Handrail 5600208

OEM No. OEM 56203318



Handrail 5600212 (2 Required)

OEM No. 56027414



Handrail 5600213

OEM No. 56027443



Kickplate 5600203

OEM No. BG00520886



**Supporting Bracket
5600209** (2 Required)

OEM No. 56027394



Bracket 5600206

OEM No. 56030702



Connector 5600205

OEM No. 56210789



**Supporting Block
5600109** (2 Required)

OEM No. OEM 56027411



Sandvik LH514 Loader

Certified / Compliant
with AUS Standards



Actuator Housing 5601018

OEM No. 56203462



Supporting Bracket 5600840

OEM No. 56208595



Supporting Bracket 5600841

OEM No. BG00525468



Supporting Bracket 5600843

OEM No. 56027434



Supporting Bracket 5600204

OEM No. 56210816



Loader Bucket Bumper 5600860

OEM No. 56043968

Sandvik LH514 Cab Door

OEM No. BG00389056

Colour: Light grey

Features:

- Direct OEM replacement.
- Heavy duty construction
- Precision manufactured for fast fit up to your machine
- Suits Sandvik LH514, LH517, and LH621

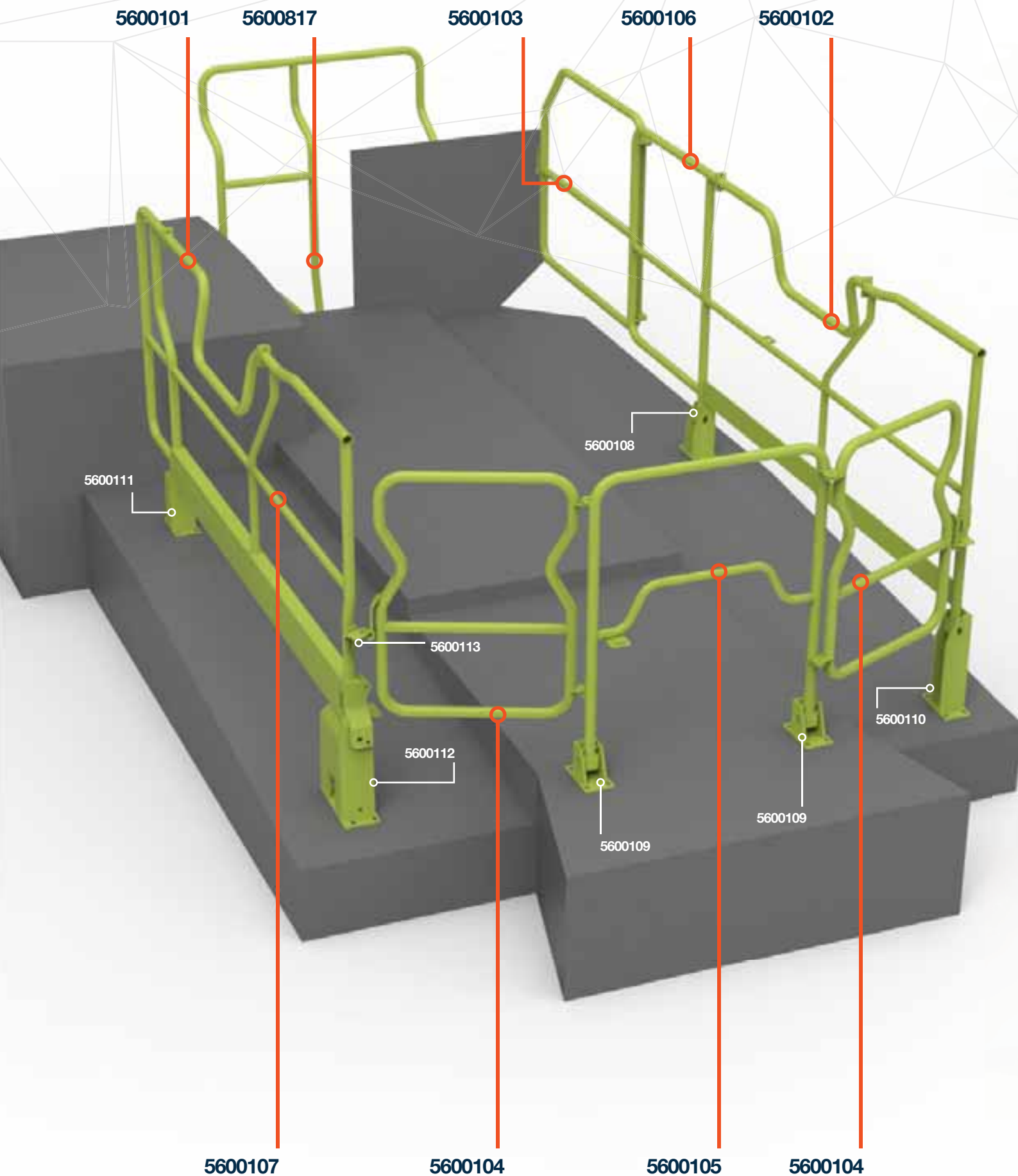
Part No. 5600398





Sandvik
LH517 Loader

Sandvik LH517 Loader



Sandvik LH517 Loader



Handrail 5600817

OEM No. 56029394



Handrail 5600103

OEM No. 56039616



Handrail 5600101

OEM No. 56039607



Handrail 5600102

OEM No. 56039606



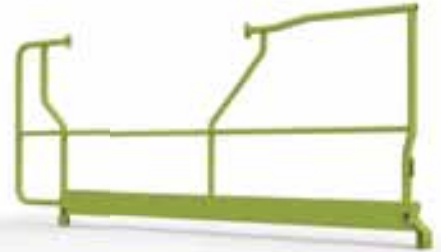
Handrail 5600105

OEM No. 56039619



Handrail 5600106

OEM No. 56029393



Handrail 5600107

OEM No. 56212200A



Handrail 5600104

(2 Required)

OEM No. 56039582



Supporting Block 5600111

OEM No. 56212216



Supporting Block 5600112

OEM No. 56212346



Supporting Block 5600108

OEM No. 56039673



Supporting Block 5600110

OEM No. 56039676



Supporting Block 5600109

(2 Required)
OEM No. OEM 56027411



Kit Component 5600113

OEM No. 56029744



Exhaust Rail 5600880

OEM No. BG00842904

UNDERGROUND MACHINE PRODUCTS



BEND-TECH

Sandvik LH517 Loader



Sandvik LH517 Cab Door

OEM No. BG00389056

Colour: Light grey

Features:

- Direct OEM replacement.
- Heavy duty construction
- Precision manufactured for fast fit up to your machine
- Suits Sandvik LH514, LH517, and LH621

Part No. 5600398



Sandvik LH517 Fixed Front Fenders

Direct OEM replacement for Sandvik LH517 Fenders.

Colour: Sandvik Red

Features:

- Heavy duty construction
- Precision manufactured for fast fit up to your machine



Fixed Front Fender RH
5601015

OEM No.
56021715

Fixed Front Fender LH
5601014

OEM No.
56021716

Sandvik LH517 Loader



Sandvik LH517/i & LH621/i Lift Arm Access Platform Set

A certified platform designed and engineered for safe and efficient access to the lifting cylinder of the Sandvik LH517 and LH621. Certified and compliant with Australian Standards.

Construction: Heavy-duty aluminium
WLL: 250kg

Features:

- LH & RH platform set
- Non-slip serrated grating for deck and stair treads
- Non-slip nosings on all stair treads
- Heavy-duty castor wheels
- Self-closing gates
- Removable handrails on side facing lift arm

Part No. 5504086



Loader Bucket Bumper

OEM No. 56043968

Colour: Black

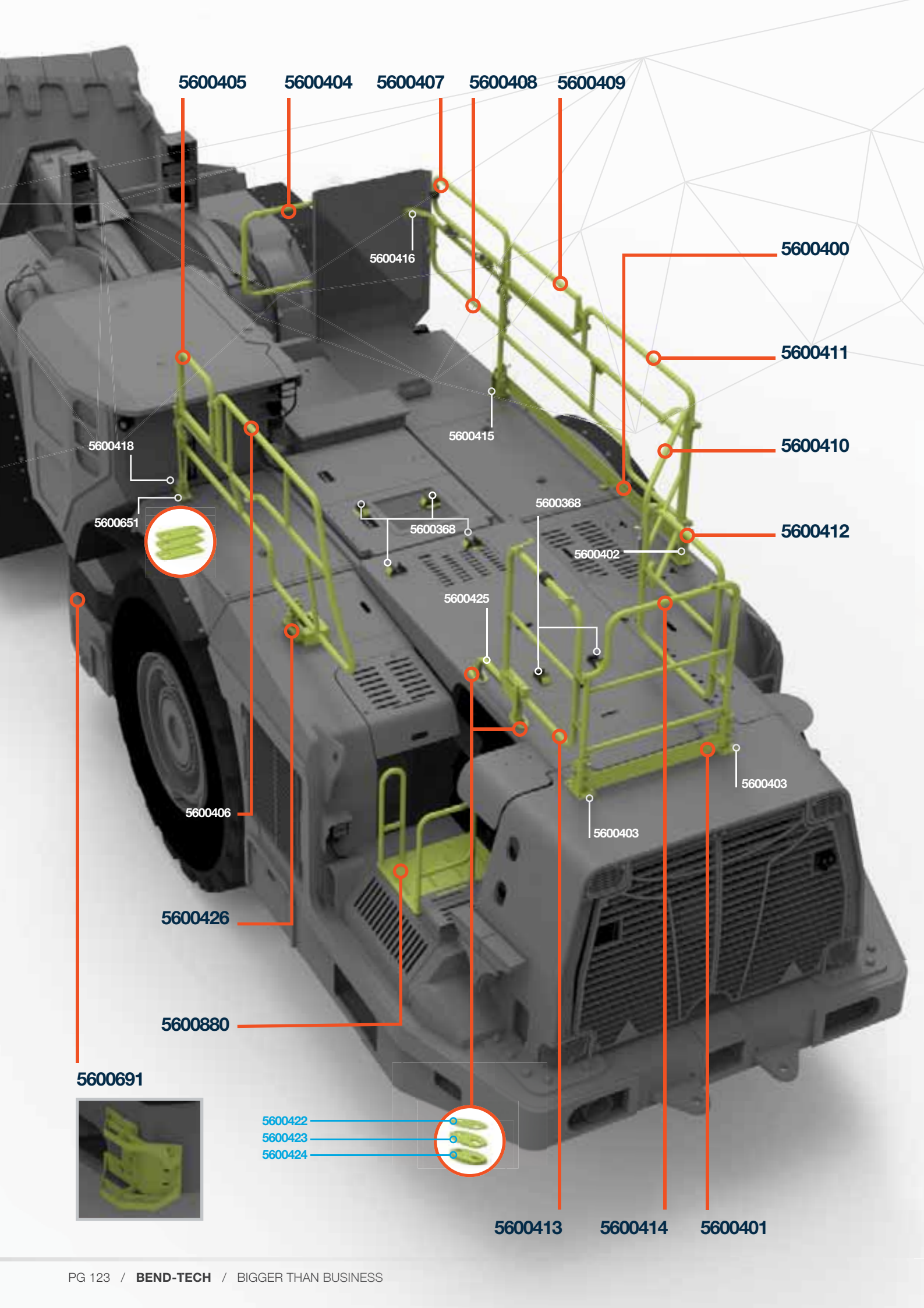
- Direct OEM Replacement
- Polyurethane

Part No. 5600860





Sandvik
LH517i Loader



5600405

5600404

5600407

5600408

5600409

5600400

5600411

5600410

5600412

5600416

5600415

5600418

5600651

5600368

5600368

5600368

5600402

5600425

5600403

5600403

5600406

5600426

5600880

5600691

5600422

5600423

5600424

5600413

5600414

5600401

Sandvik LH517i Loader

- 2018 & Prior



Handrail 5600405

OEM No. BG01038296



Handrail 5600406

OEM No. BG01039194



Handrail 5600407

OEM No. BG01036195



Handrail 5600408

OEM No. BG01036194



Handrail 5600409

OEM No. BG01036192



Handrail 5600410

OEM No. BG00968272



Handrail 5600411

OEM No. BG01033203



Handrail 5600404

OEM No. BG00968274



Handrail 5600413

OEM No. BG00968269



Handrail 5600414

OEM No. BG00968268



Handrail 5600412

OEM No. BG00968270



Handrail 5600425

OEM No. BG00969097



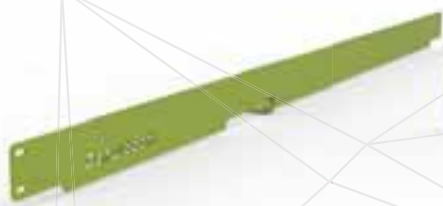
Cab Step 5600691

OEM No. BG00844987



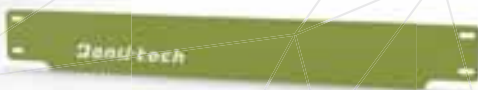
Sandvik LH517i Loader

- 2018 & Prior



Kickplate 5600400

OEM No. BG00968275



Kickplate 5600401

OEM No. BG00861354



Actuator Housing 5600426

OEM No. BG00861412



Bracket and Rubber 5600368

(6 Required)

OEM No's. BG00220538A, BG00210180A



Exhaust Rail 5600880

OEM No. BG00842904



Handrail Mount Plates 5600651

OEM No's. BG00860827, BG00861425, BG00861356



Oval Shim 2mm 5600422

(2 Required)

OEM No. BG00968821



Oval Shim 3mm 5600423

(2 Required)

OEM No. BG00968822



Oval Shim 4mm 5600424

(2 Required)

OEM No. BG00968823



Bracket 5600416

OEM No. BG00832740



Support Bracket 5600402

OEM No. BG00861407



Support Bracket 5600415

OEM No. BG00861409



Bracket Hinge 5600418

OEM No. BG00550647



Support Bracket 5600403

OEM No. BG00861406

Sandvik LH517i Loader

- 2018 & Prior



Loader Bucket Bumper

OEM No. 56043968

Colour: Black

- Direct OEM Replacement
- Polyurethane

Part No. 5600860



“ Making maintenance
on-site safe, efficient
and easy ”

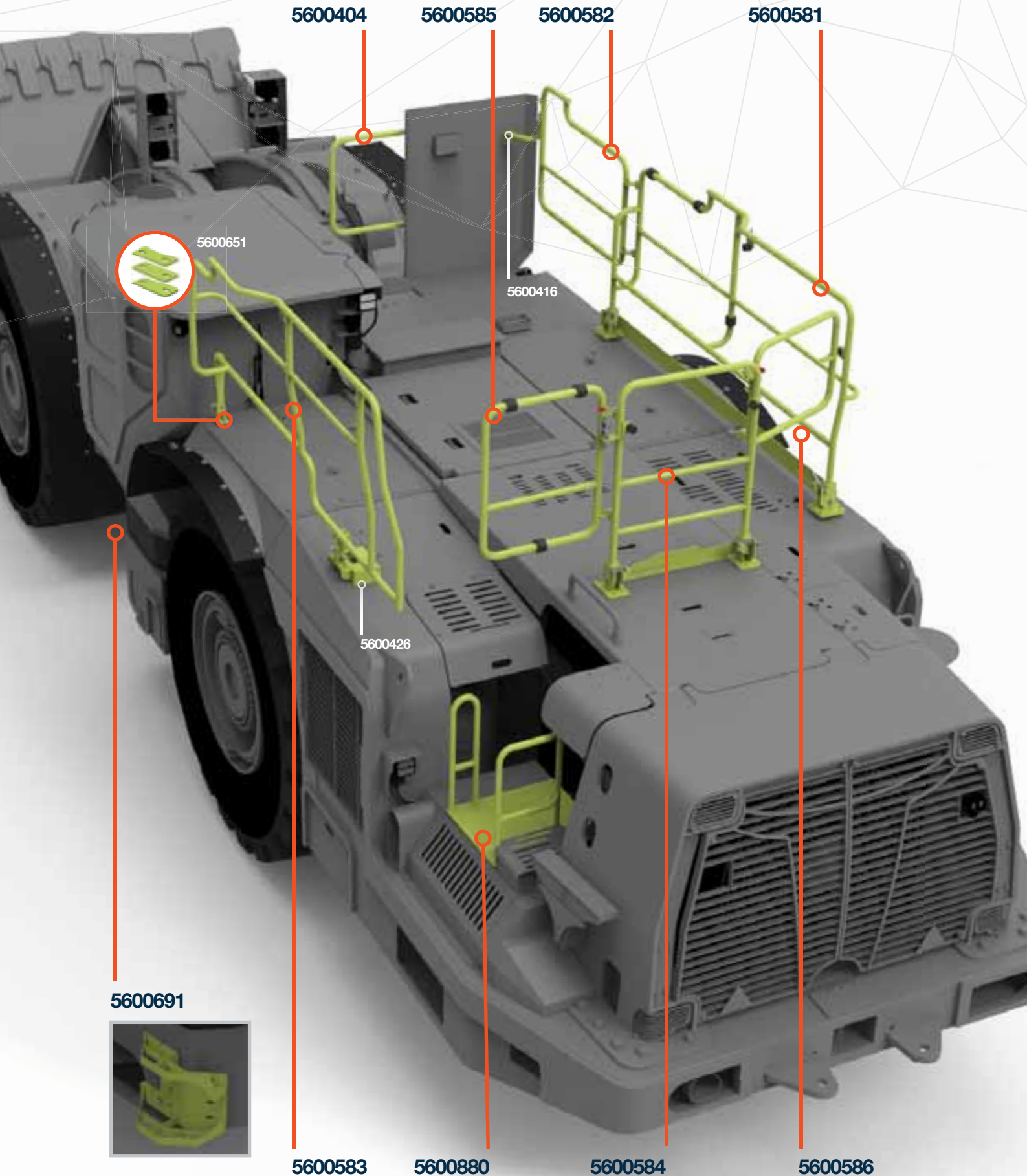
BEND-TECH | UNDERGROUND MACHINE PRODUCTS



BEND-TECH

Sandvik LH517i Loader

- 2018 & Beyond



5600404

5600585

5600582

5600581



5600651

5600416

5600426

5600691



5600583

5600880

5600584

5600586

Sandvik LH517i Loader

- 2018 & Beyond



Right Side Handrail 5600581

OEM No. BG01240318



Right Side Gate 5600582

OEM No. BG01240319



Left Handrail 5600583

OEM No. BG01240313



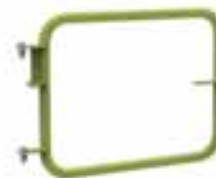
Rear Handrail 5600584

OEM No. BG01240329



Rear Gate 1 5600585

OEM No. BG01240333



Rear Gate 2 5600586

OEM No. BG01240331



Front Handrail 5600404

OEM No. BG00968274



Actuator Housing 5600426

OEM No. BG00861412



Rail Stopper 5600416

OEM No. BG00832740



Shim Kit 2, 3, 4MM 5600651

OEM No's. 2MM (BG00861356),
3MM (BG00860827), 4MM (BG00861425)



Exhaust Rail 5600880

OEM No. BG00842904



Cab Step 5600691

OEM No. BG00844987



Sandvik LH517i Loader

- 2018 Prior & Beyond



5600860
(4 required)

5601072

5601071

5600691

5600399

5607068

5607067

5600880

“ Making maintenance on-site safe, efficient and easy ”

Sandvik LH517i Loader

- 2018 Prior & Beyond



Sandvik LH517i Cab Door

OEM No. BG00807642

Colour: Light grey

Features:

- Direct OEM replacement.
- Heavy duty construction
- Precision manufactured for fast fit up to your machine
- Suits Sandvik LH517i, LH621i

Part No. 5600399



Sandvik LH517i Fixed Front Fenders

Direct OEM replacement for Sandvik LH517i Fenders.

Colour: Sandvik Red

Features:

- Heavy duty construction
- Precision manufactured for fast fit up to your machine

Fixed Front Fender LH 5601072

OEM No. BG00837812

Fixed Front Fender RH 5601071

OEM No. BG00837874



Sandvik LH517i Loader

- 2018 Prior & Beyond



Sandvik LH517i Radiator Grille RH

OEM No. BG01010323

Construction: Heavy-duty aluminium
Colour: Sandvik Grey

Features:

- Hi-spec surface treatment finish in machine colour over a primary zinc coating for enhanced protection
- Stocked and ready for immediate despatch
- Certified and compliant with Australian Standards

Part No. 5607068



Sandvik LH517i Radiator Grille LH

OEM No. BG01010319

Construction: Heavy-duty aluminium
Colour: Sandvik Grey

Features:

- Hi-spec surface treatment finish in machine colour over a primary zinc coating for enhanced protection
- Stocked and ready for immediate despatch
- Certified and compliant with Australian Standards

Part No. 5607067



Loader Bucket Bumper

OEM No. 56043968

Colour: Black

- Direct OEM Replacement
- Polyurethane

Part No. 5600860



Sandvik LH517i Loader

- 2018 Prior & Beyond



Sandvik LH517/i & LH621/i Lift Arm Access Platform Set

A certified platform designed and engineered for safe and efficient access to the lifting cylinder of the Sandvik LH517 and LH621. Certified and compliant with Australian Standards.

Construction: Heavy-duty aluminium
WLL: 250kg

Features:

- LH & RH platform set
- Non-slip serrated grating for deck and stair treads
- Non-slip nosings on all stair treads
- Heavy-duty castor wheels
- Self-closing gates
- Removable handrails

Part No. 5504086



Sandvik LH517i Rear Access Platform

A platform designed and engineered to safely and efficiently access rear components of the Sandvik LH517i for maintenance and inspection. Certified and compliant with Australian Standards

Construction: Heavy-duty aluminium
WLL: 250kg

Features:

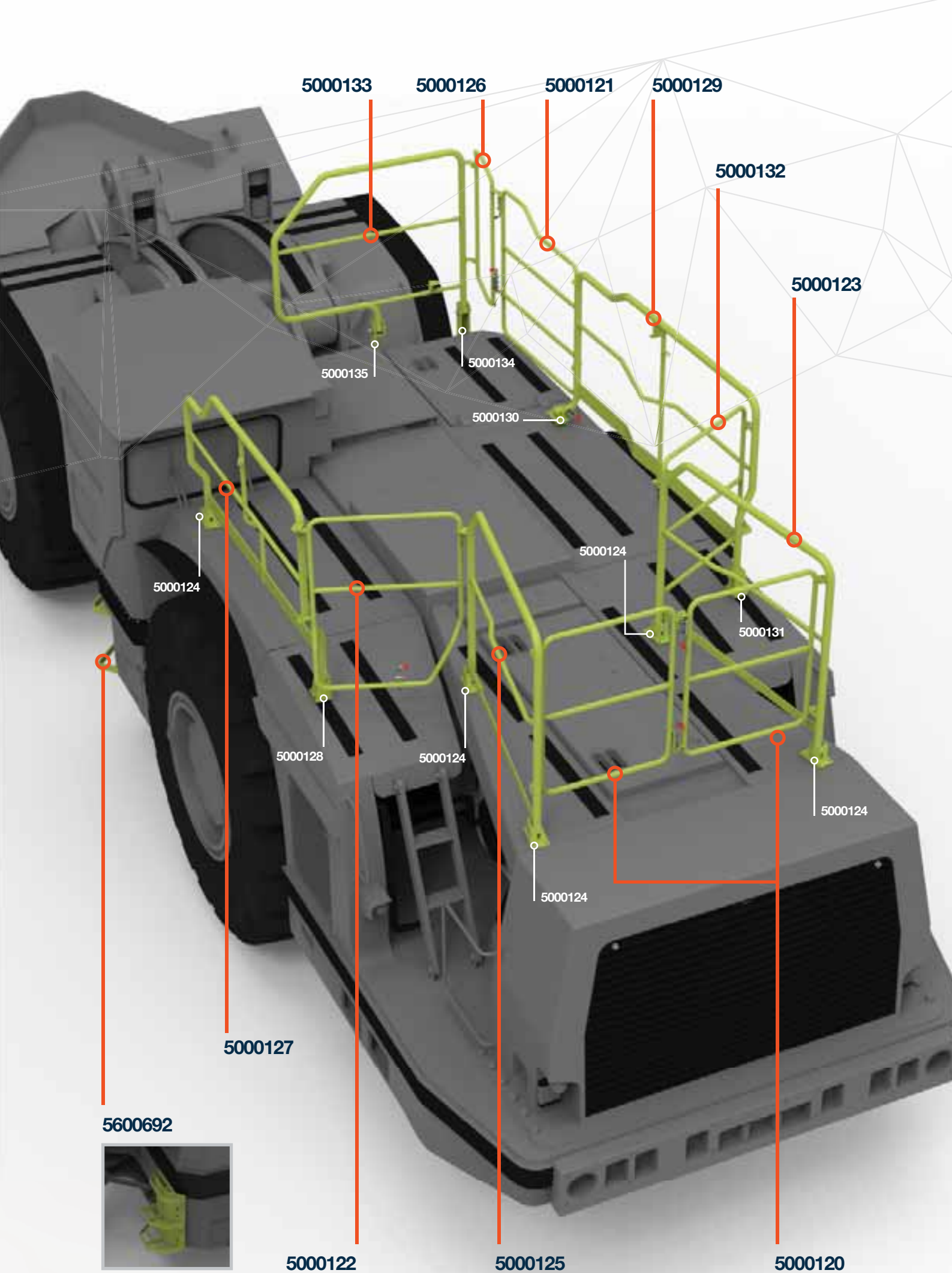
- Non-slip serrated grating for deck and stair treads
- Non-slip nosings on all stair treads
- Heavy-duty castor wheels
- Self-closing gates
- Removable handrails at mid-rear section
- Jack stands
- Forklift slots

Part No. 5606502





Sandvik
LH621 Loader



5000133

5000126

5000121

5000129

5000132

5000123

5000135

5000134

5000130

5000124

5000124

5000131

5000128

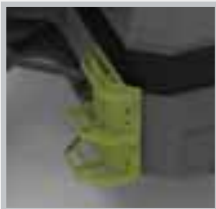
5000124

5000124

5000124

5000127

5600692



5000122

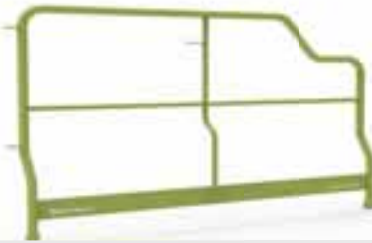
5000125

5000120

Sandvik LH621 Loader - Manual Handrails



Handrail 5000120 (2 Required)
OEM No. 56018767



Handrail 5000127
OEM No. 56018760



Handrail 5000132
OEM No. 56018766



Handrail 5000123
OEM No. 56018762



Handrail 5000125
OEM No. 56018761



Handrail 5000129
OEM No. 56018763



Handrail 5000121
OEM No. 56018768



Handrail 5000133
OEM No. 56018764



Handrail 5000122
OEM No. 56018765



Cab Step 5600692
OEM No. BG00963981



Handrail 5000126
OEM No. 56019161



Support Bracket 5000135
OEM No. 56018774



Support Bracket 5000134
OEM No. 56018773



Support Bracket 5000131
OEM No. 56018771



Support Bracket 5000128
OEM No. 56018770

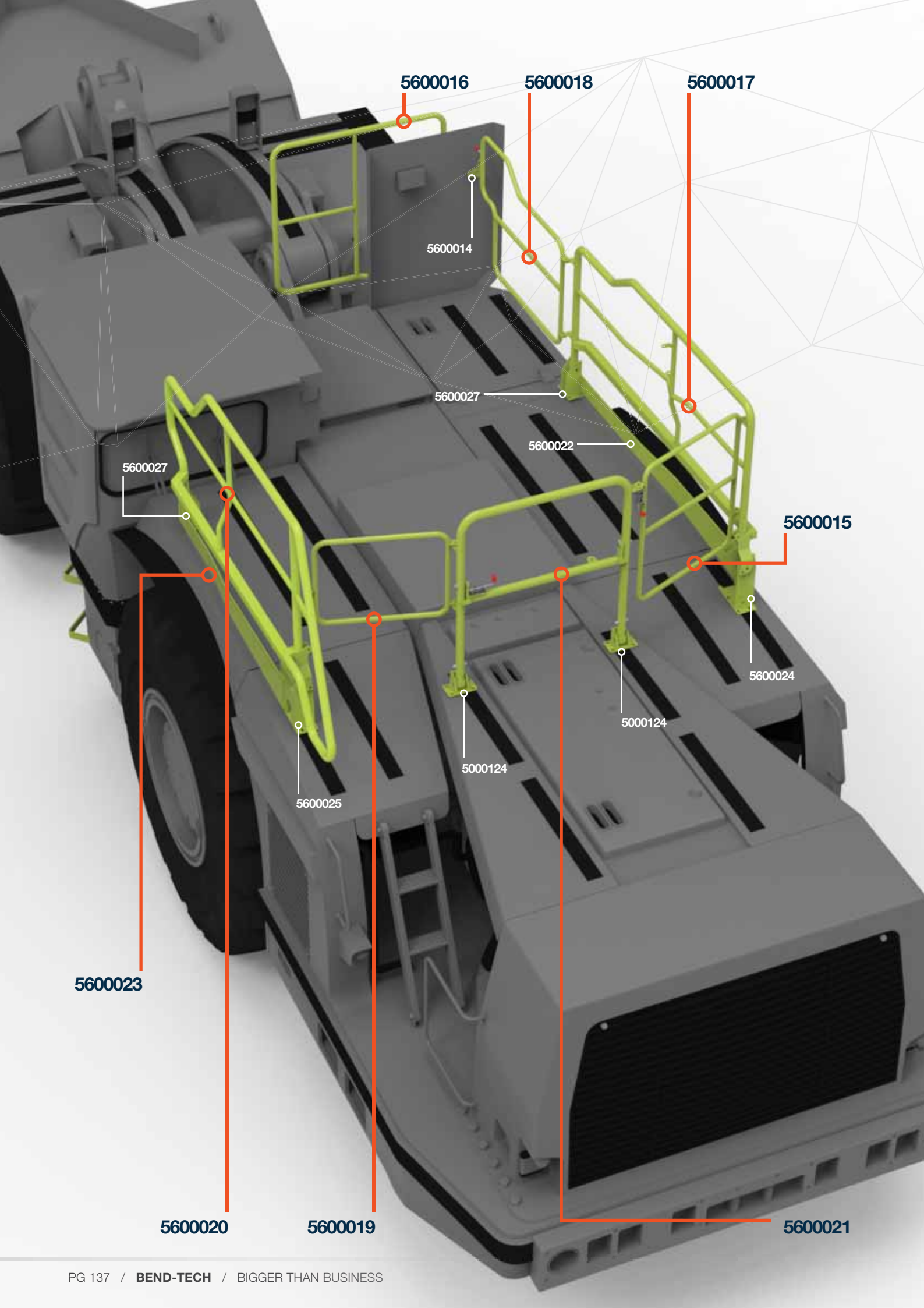


Support Bracket 5000130
OEM No. 56018772



Support Bracket 5000124 (5 Required)
OEM No. 56018769





5600016

5600018

5600017

5600014

5600027

5600022

5600027

5600015

5600024

5000124

5000124

5600025

5600023

5600020

5600019

5600021

Sandvik LH621 Loader - Hydraulic Handrails



Handrail 5600015
OEM No. BG00311924



Handrail 5600016
OEM No. BG00311588



Handrail 5600017
OEM No. BG00311830



Handrail 5600018
OEM No. BG00311904



Handrail 5600019
OEM No. BG00313074



Handrail 5600020
OEM No. BG00313079



Handrail 5600021
OEM No. BG00353239



Kickplate 5600022
OEM No. BG00313347



Kickplate 5600023
OEM No. BG00319454



Support Bracket 5600014
OEM No. 56039625



Support Bracket 5600025
OEM No. 56212346



Support Bracket 5600024
OEM No. BG00312309



Support Bracket 5000124 (2 Required)
OEM No. 56018769



Support Bracket 5600027 (2 Required)
OEM No. 56212345



Sandvik LH621 Loader



Sandvik LH621 - Manual Handrail Storage Racks

A designed and engineered storage solution to hold a full set of Sandvik LH621 handrails. Certified and compliant with Australian Standards.

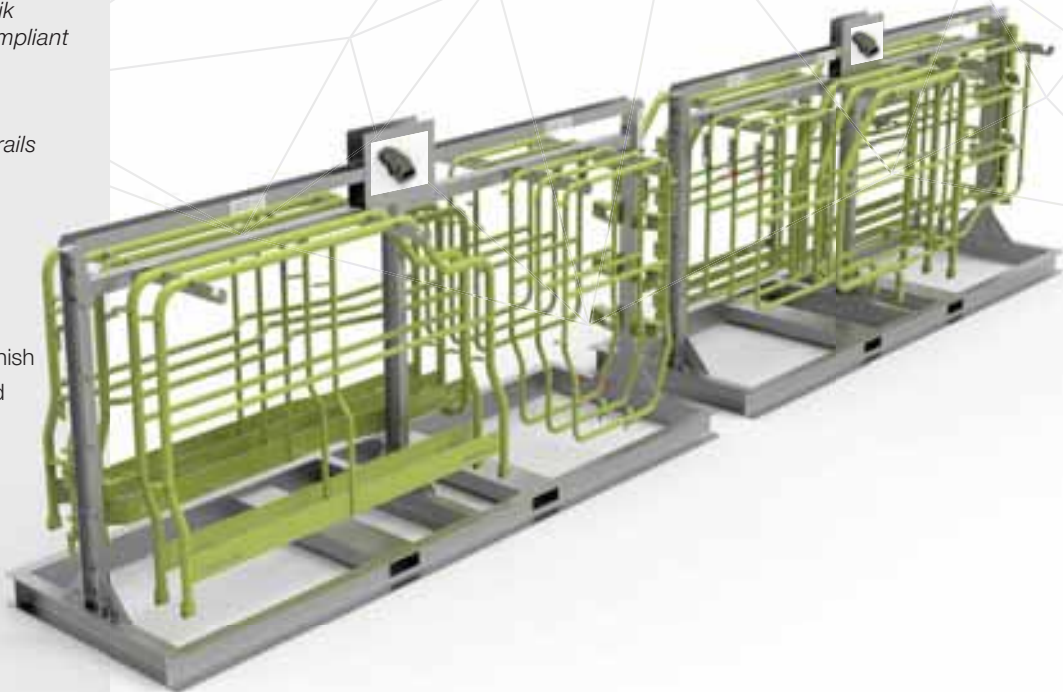
This handrail storage rack allows sites to access replacement handrails quickly and easily, without waiting for freight.

Construction: Heavy-duty steel

Features:

- Heavy-duty hot dip galvanised finish
- All required signage incorporated
- Rack capacity: 3 complete sets
- Handrails not included
- Forklift slots

Part No. 5503052



Sandvik LH621 - Hydraulic Handrail Storage Racks

A designed and engineered storage solution to hold a full set of Sandvik LH621 Hydraulic handrails. Certified and compliant with Australian Standards.

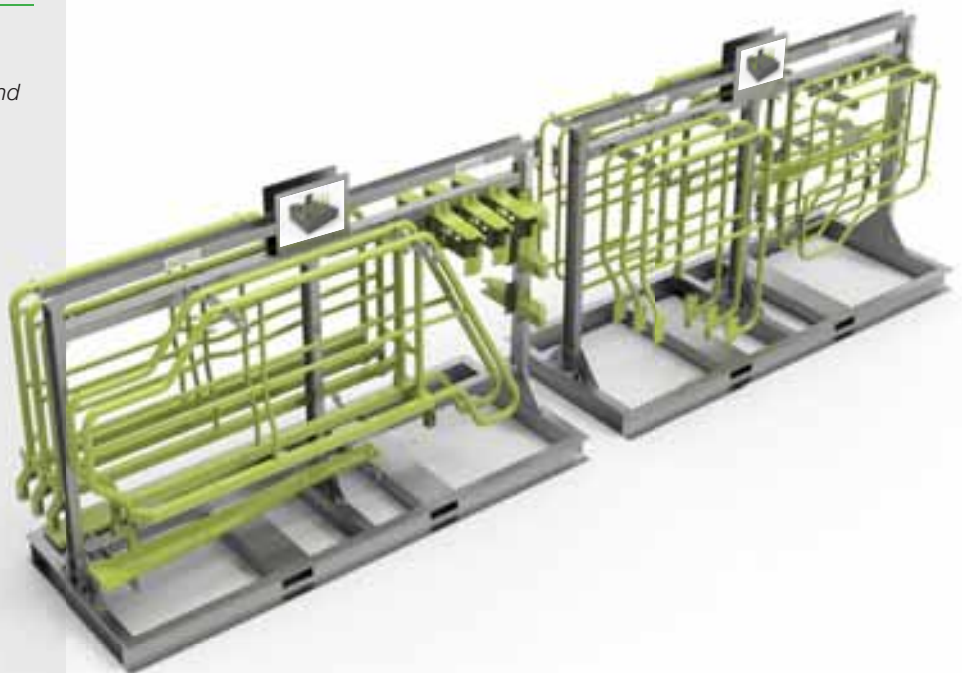
This handrail storage rack allows sites to access replacement handrails quickly and easily, without waiting for freight.

Construction: Heavy-duty steel

Features:

- Heavy-duty hot dip galvanised finish
- All required signage incorporated
- Rack capacity: 3 complete sets
- Handrails not included
- Forklift slots

Part No. 5503036



Sandvik LH621 Loader



Sandvik LH621 Fall Arrestor Tether Kit

A solution to provide operators/fitters with a tethering kit which they could lock onto, while erecting the handrails on the machine.

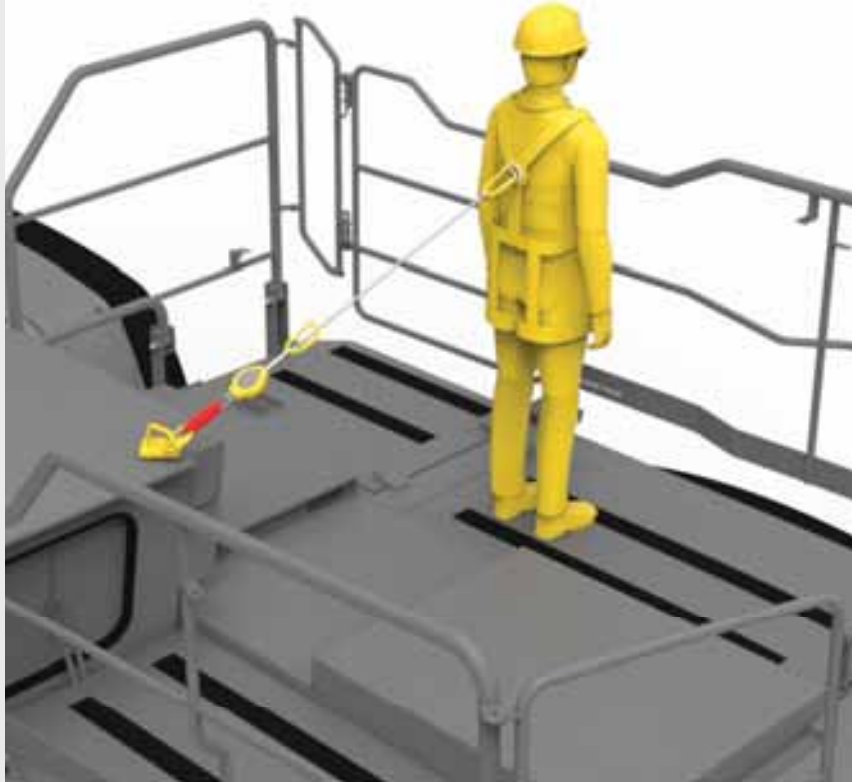
Features:

- Tether kit is pre-rated to arrest the fall of an operator
- Tether mechanism locks when sudden movement is detected (e.g. losing balance), preventing tripping and/or falling from machine
- Uses existing bolts/fittings on the roof and engineered and certified brackets for the retractable fall arrest tethers to attach to

Includes:

- Carabiners
- Tether point
- Retractable fall arrest block

Part No. 5504910



Sandvik LH621 Cab door

OEM No. BG00389056

Colour: Light grey

Features:

- Direct OEM replacement.
- Heavy duty construction
- Precision manufactured for fast fit up to your machine
- Suits Sandvik LH514, LH517, and LH621

Part No. 5600398

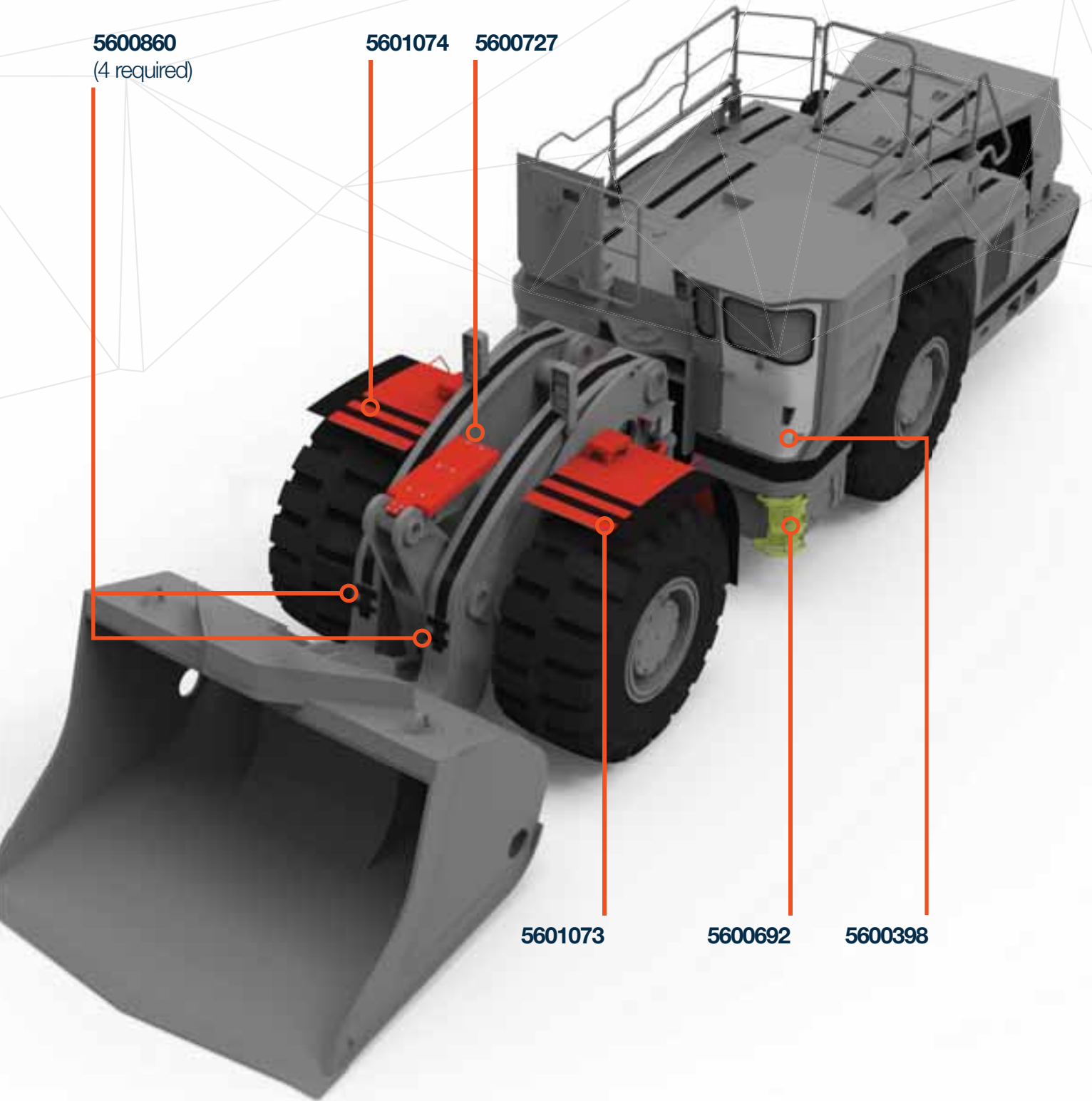


Sandvik LH621 Loader



5600860
(4 required)

5601074 5600727



5601073

5600692

5600398

“ Making maintenance on-site safe, efficient and easy ”

Sandvik LH621 Loader



Sandvik LH621 Fixed Front Fenders

Direct OEM replacement for Sandvik LH621 Fenders.

Colour: Sandvik Red

Features:

- Heavy duty construction
- Precision manufactured for fast fit up to your machine

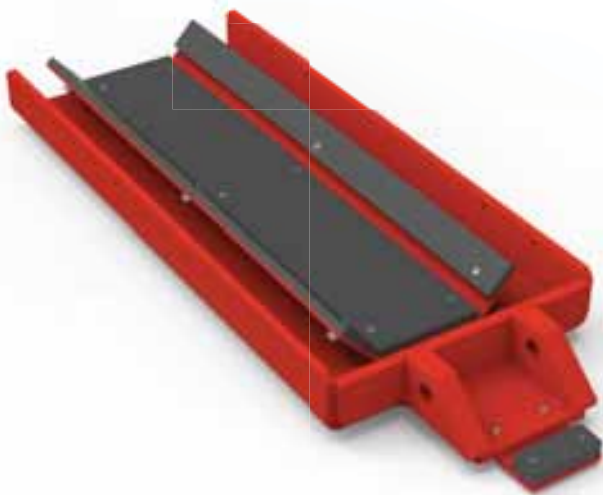


Fixed Front Fender RH
5601074

OEM No.
56014122

Fixed Front Fender LH
5601073

OEM No. 56014121



Sandvik LH621 / LH621i Tilt Cylinder Guard

OEM No. BG00601294

Colour: Sandvik Red

- Direct OEM Replacement
- Suits Sandvik LH621 and LH621i

Part No. 5600727



Loader Bucket Bumper

OEM No. 56043968

Colour: Black

- Direct OEM Replacement
- Polyurethane

Part No. 5600860

UNDERGROUND MACHINE PRODUCTS



BEND-TECH

Sandvik LH621 Loader

Sandvik LH621 Front Access Platform

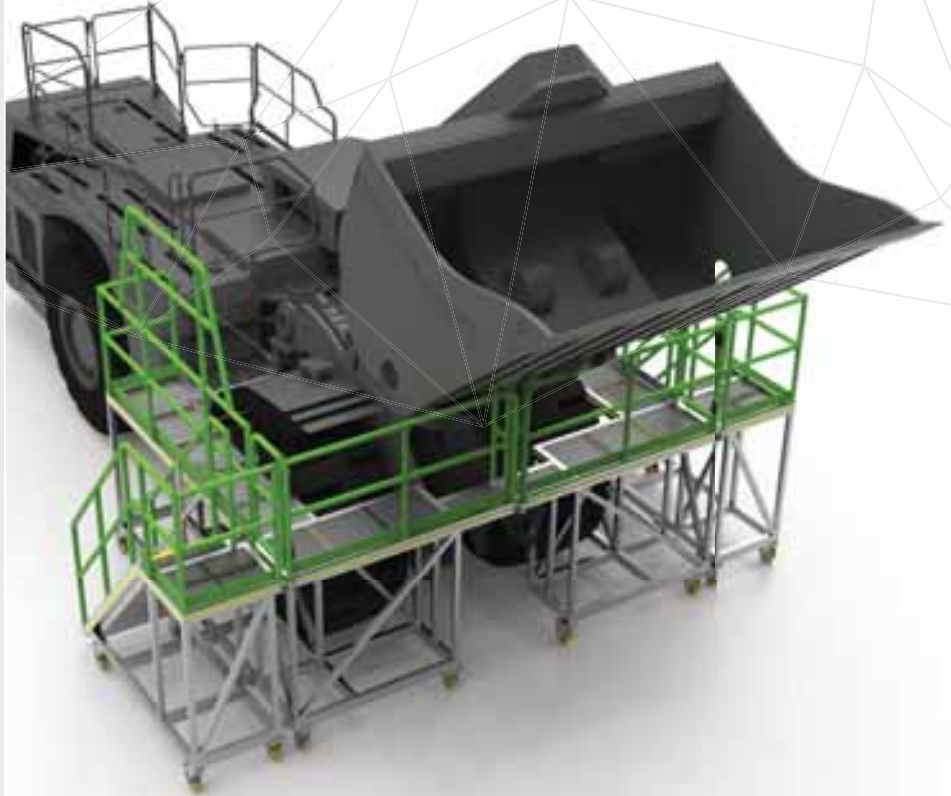
A platform designed and engineered to provide safe and efficient access to the front end of a Sandvik LH621 Loader for maintenance and repairs. Certified and compliant with Australian Standards.

Construction: Heavy-duty aluminium

Features:

- Platforms allow easy access from the bucket right to the cab
- Left hand and right hand are symmetrical
- Double height handrails at tyre points to prevent falls
- Fold-up grating sections on deck
- Heavy-duty castor wheels

Part No. 5501967



Sandvik LH621 Rear Access Platform

A platform designed and engineered to provide safe and efficient access to the rear section of a Sandvik LH621 Loader for routine maintenance and repairs. Certified and compliant with Australian Standards.

Construction: Heavy-duty aluminium

Features:

- Provides safe, efficient and easy access to the rear of machine
- 3-piece platform set
- Heavy-duty castor wheels

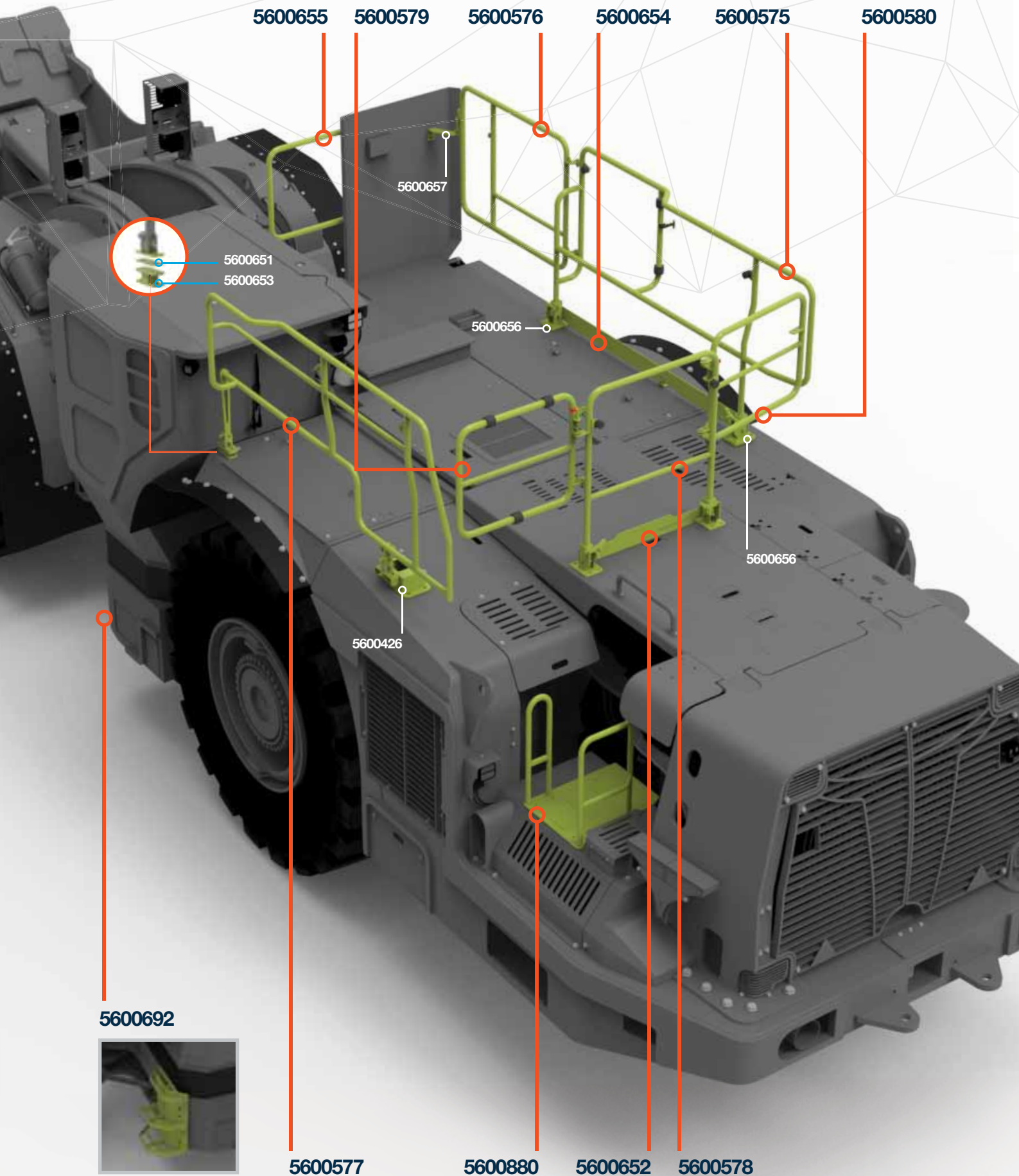
Part No. 5001962





Sandvik
LH621i Loader

Sandvik LH621i Loader



5600655

5600579

5600576

5600654

5600575

5600580

5600657

5600651

5600653

5600656

5600656

5600426

5600692

5600577

5600880

5600652

5600578

Sandvik LH621i Loader



Right Side Handrail 5600575

OEM No. BG01211129



Right Side Gate 5600576

OEM No. BG01211136



Left Side Handrail 5600577

OEM No. BG01214226



Rear Handrail 5600578

OEM No. BG01213823



Rear Gate 1 5600579

OEM No. BG01213911



Rear Gate 2 5600580

OEM No. BG1214448



Tank Cover Rail 5600655

OEM No. BG01447162



Kick Plate 5600652

OEM No. BG01213823



Kick Plate and Bracket 5600654

OEM No. BG01236467 AND BG01010139



Actuator Housing 5600426

OEM No. BG00861412



Shim Kit 2, 3, 4MM 5600651

OEM No's. 2MM (BG00861356),
3MM (BG00860827), 4MM BG00861425)



Rail Stopper 5600657

OEM BG01215100



Mount Bracket 5600653

OEM No. BG00910132



Mount Shim 5600656

OEM No. BG01222304



Exhaust Rail 5600880

OEM No. BG00842904



Cab Step 5600692

OEM No. BG00963981

UNDERGROUND MACHINE PRODUCTS



BEND-TECH

Sandvik LH621i Loader

Certified / Compliant
with AUS Standards



Sandvik LH621i Handrail Storage Rack

A designed and engineered storage solution to hold a full set of Sandvik LH621i handrails. Certified and compliant with Australian Standards.

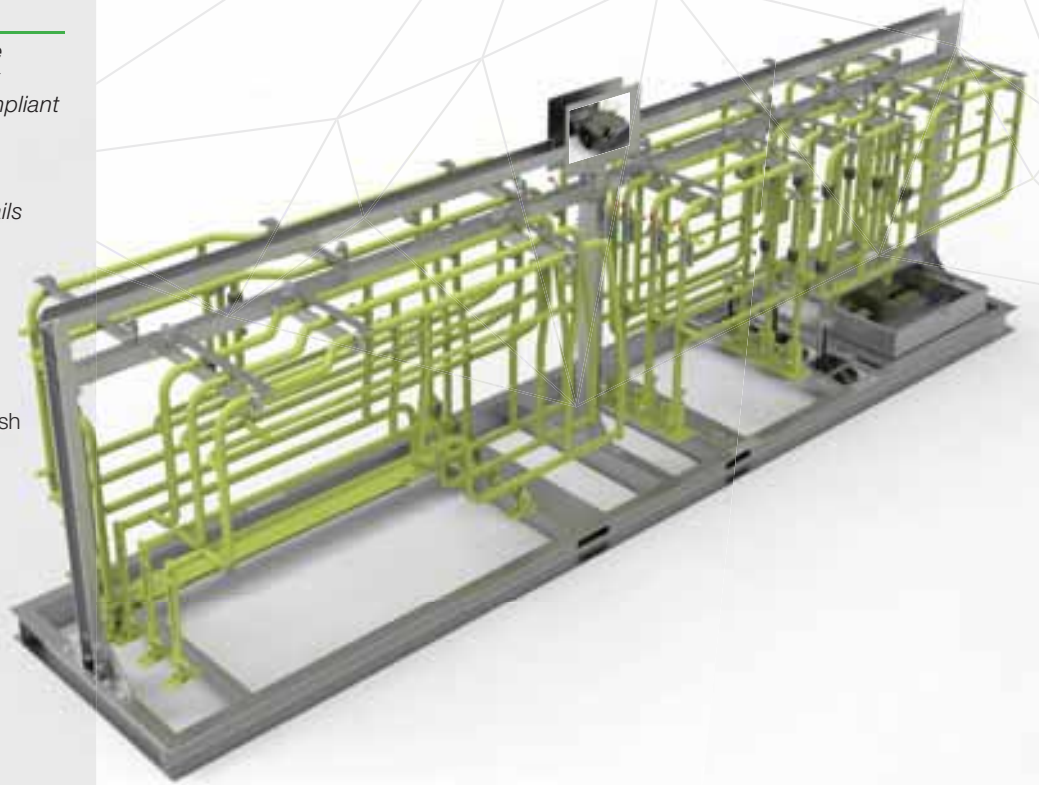
This handrail storage rack allows sites to access replacement handrails quickly and easily, without waiting for freight.

Construction: Heavy-duty steel

Features:

- Heavy-duty hot dip galvanised finish
- All required signage incorporated
- Rack capacity: 3 complete sets
- Handrails not included
- Lockable hinges
- Forklift slots

Part No. 5600749



Sandvik LH621i Loader



5600860
(4 required)

5600785

5600784

5600727

5600692

5600399

“ Making maintenance on-site safe, efficient and easy ”

5600880

UNDERGROUND MACHINE PRODUCTS



BEND-TECH

Sandvik LH621i Loader



Sandvik LH621i Cab Door

OEM No. BG00807642

Colour: Light grey

Features:

- Direct OEM replacement
- Heavy duty construction
- Precision manufactured for fast fit up to your machine
- Suits Sandvik LH517i, LH621i

Part No. 5600399



Sandvik LH621i Fixed Front Fenders

Direct OEM replacement for Sandvik LH621i Fenders.

Colour: Sandvik Red

Features:

- Heavy duty construction
- Precision manufactured for fast fit up to your machine



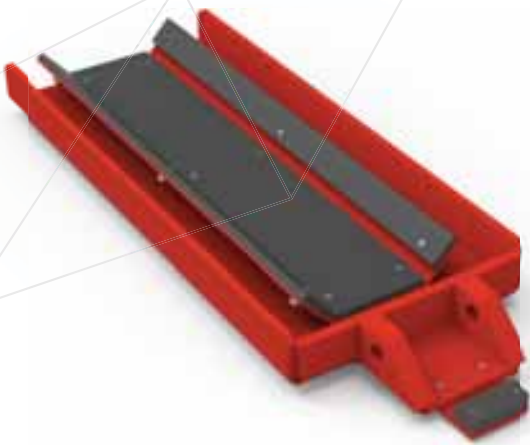
Fixed Front Fender LH 5600785

OEM No. BG00862594

Fixed Front Fender LH 5600784

OEM No. BG00862471

Sandvik LH621i Loader



Sandvik LH621 / LH621i Tilt Cylinder Guard

OEM No. BG00601294

Colour: Sandvik Red

- Direct OEM Replacement
- Suits Sandvik LH621 and LH621i

Part No. 5600727



Loader Bucket Bumper

OEM No. 56043968

Colour: Black

- Direct OEM Replacement
- Polyurethane

Part No. 5600860

Sandvik LH517/i & LH621/i Lift Arm Access Platform Set

A platform designed and engineered for safe and efficient access to the lifting cylinder of the Sandvik LH517 and LH621. Certified and compliant with Australian Standards.

Construction: Heavy-duty aluminium

WLL: 250kg

Features:

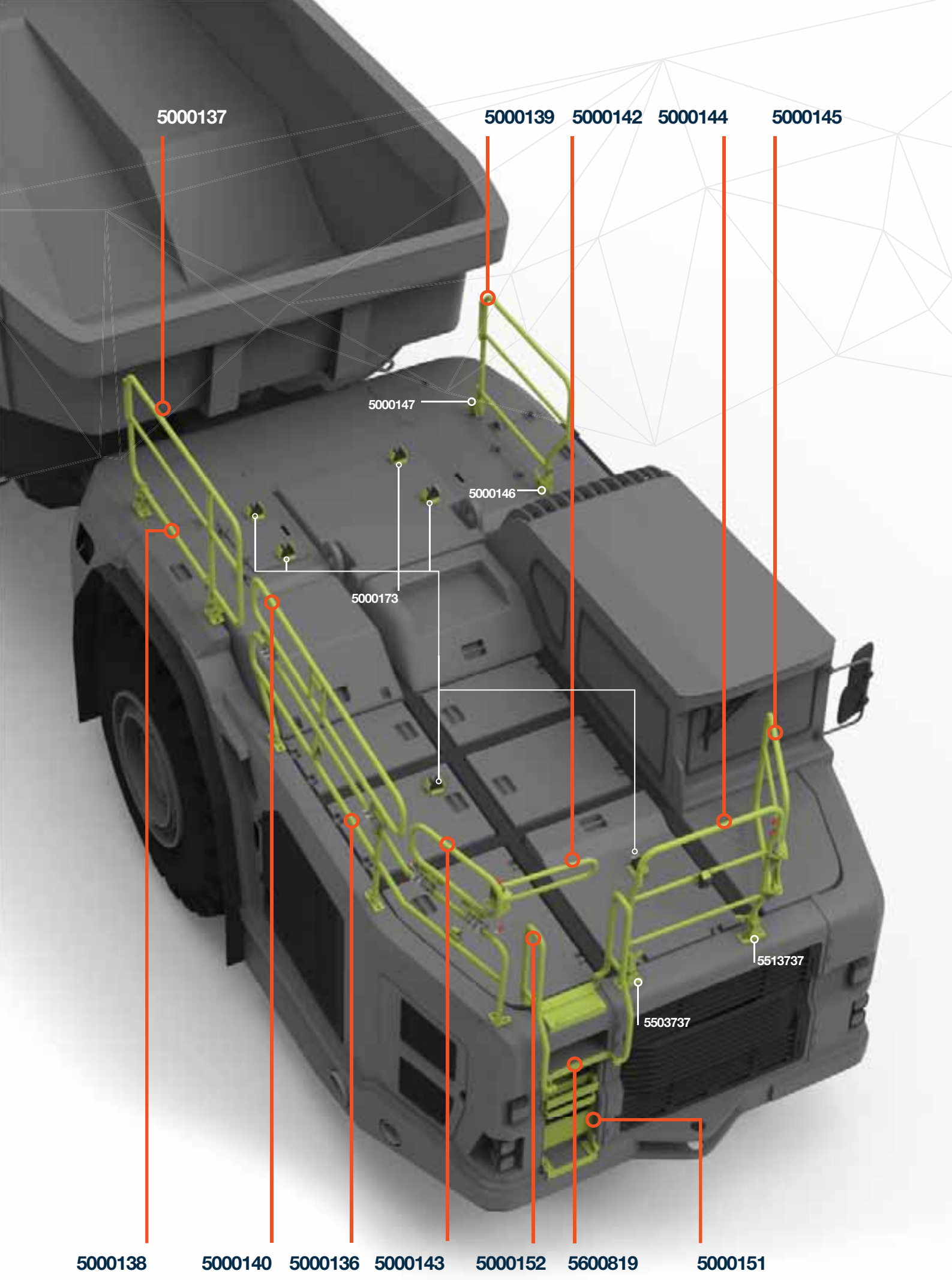
- LH & RH platform set
- Non-slip serrated grating for deck and stair treads
- Non-slip nosings on all stair treads
- Heavy-duty castor wheels
- Self-closing gates
- Removable handrails facing the lift-arm

Part No. 5504086





Sandvik
TH551 / i
TH663 / i
Truck



5000137

5000139

5000142

5000144

5000145

5000147

5000146

5000173

5513737

5503737

5000138

5000140

5000136

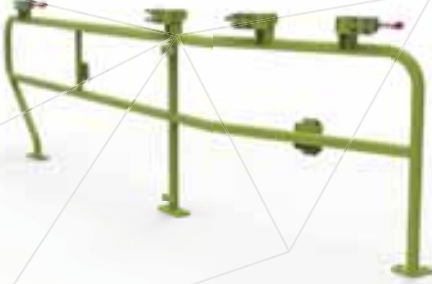
5000143

5000152

5600819

5000151

Sandvik TH551 / i & TH663 / i Truck



Handrail 5000136
OEM No. BG00213893



Handrail 5000137
OEM No. BG00204159



Handrail 5000140
OEM No. BG00202252



Handrail 5000145
OEM No. BG00208760



Handrail 5000144
OEM No. BG00202032



Handrail 5000142
OEM No. BG00329584



Handrail 5000143
OEM No. BG00202490



Handrail 5000139
OEM No. BG00204240



Handrail 5000138
OEM No. BG00204183



Ladder 5000152
OEM No. BG00210677



Step Ladder 5000151
OEM No. 56210006



Support Bracket 5000147
OEM No. 56209439



Handrail Hinge Left 5503737



Handrail Hinge Right 5513737



Support Bracket 5000146
OEM No. BG00236951



Mount Plate 5600819
OEM No. BG00210718



Bracket and Rubber 5000173
(6 Required)

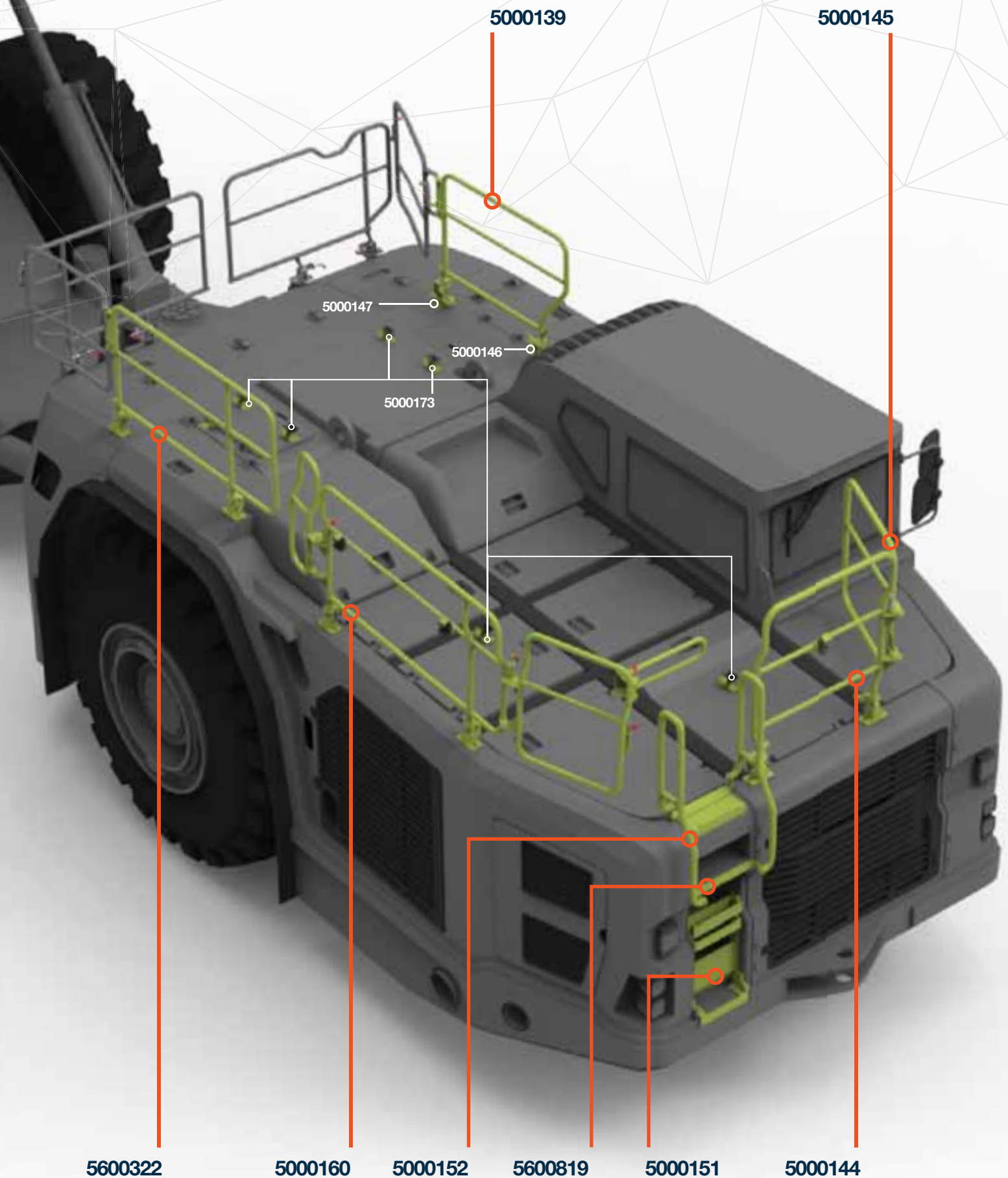
UNDERGROUND MACHINE PRODUCTS



BEND-TECH

Sandvik TH551 / i & TH663 / i

Front Low Folding Handrails



Sandvik TH551 / i & TH663 / i Front Low Folding Handrails



Handrail 5000139

OEM No. BG00204240



Handrail 5000160

OEM No. BG00213893, BG00213140,
BG00213142, BG00213143



Handrail 5000144

OEM No. BG00202032



Handrail 5000145

OEM No. BG00208760



Handrail 5600322

OEM No. BG00204159



Ladder 5000152

OEM No. BG00210677



Step Ladder 5000151

OEM No. 56210006



Mount Plate 5600819

OEM No. BG00210718



Bracket and Rubber 5000173
(6 Required)



**Handrail Hinge
Left 5503737**
(4 Required)



**Handrail Hinge
Right 5513737**
(4 Required)



**Support
Bracket 5000147**
OEM No. 56209439



**Support
Bracket 5000146**
OEM No. BG00236951

UNDERGROUND MACHINE PRODUCTS



BEND-TECH

Sandvik TH551 / i & TH663 / i

Front Low Folding Handrails

- Classic & iSeries

5542677

5522677

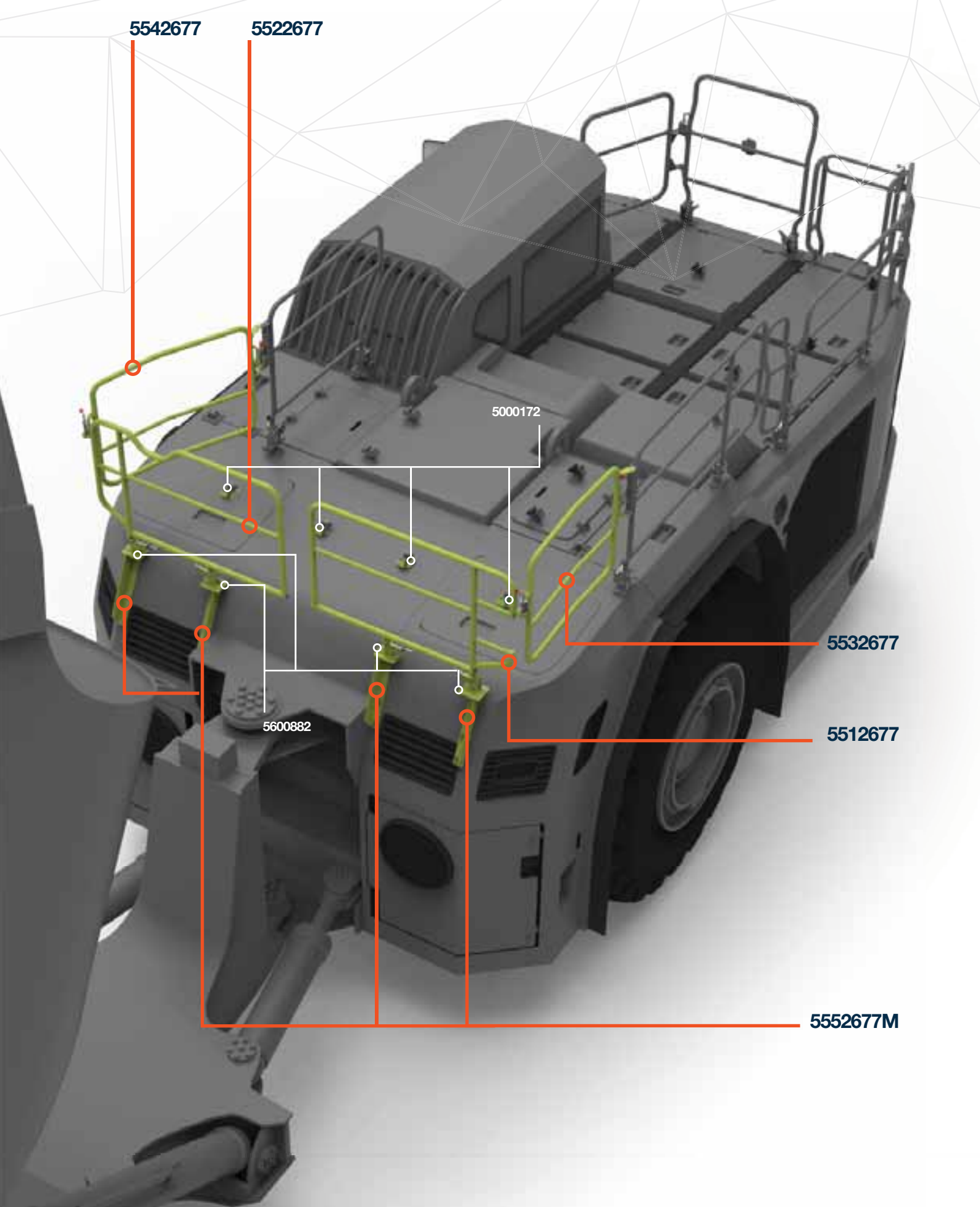
5000172

5600882

5532677

5512677

5552677M



Sandvik TH551 / i & TH663 / i

Rear Low Folding Handrail

- Classic & iSeries



Handrail 5542677



Handrail 5522677



Handrail 5512677



Handrail 5532677



Bracket and Rubber 5000172
(4 Required)



Rear Mount Set 5552677M
(2 Sets Required)



Foot 5600882 (2 Required)



Latch 5000149 (2 Required)
OEM No. BG00214267



Latch 5000148 (2 Required)
OEM No. BG00214262

UNDERGROUND MACHINE PRODUCTS



BEND-TECH

Sandvik TH551 / i & TH663 / i - Classic & iSeries



Sandvik TH551/i & TH663/i Handrail Storage Rack

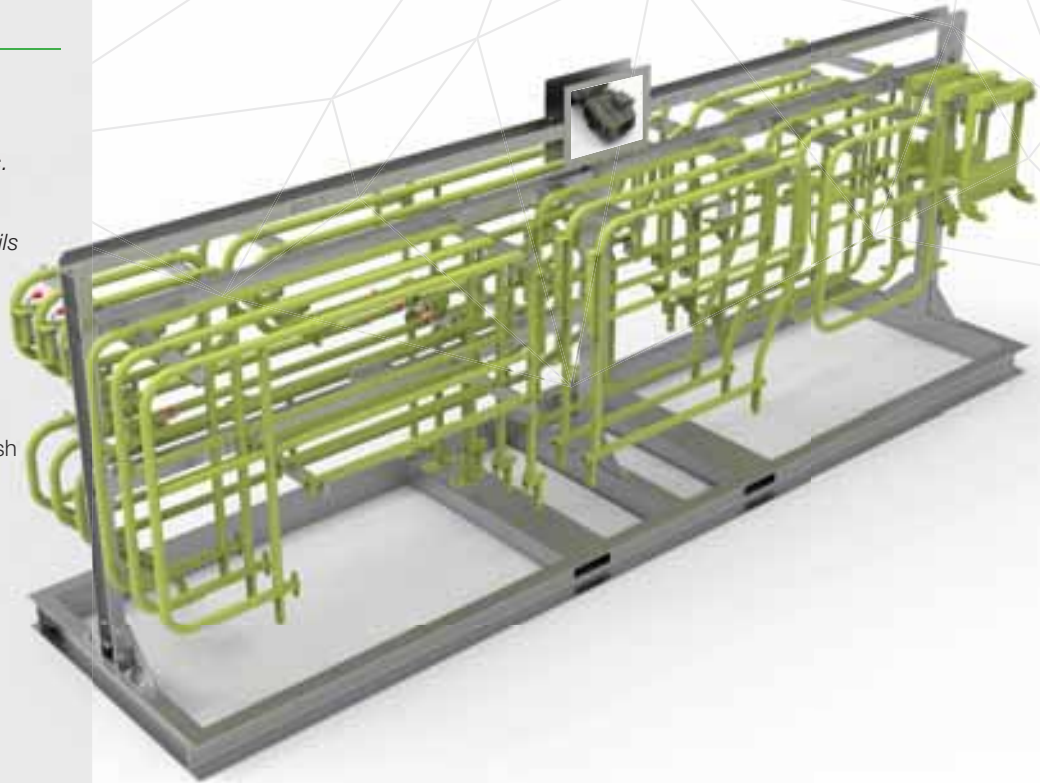
A designed and engineered storage solution to hold a full set of Sandvik TH663 handrails. Certified and compliant with Australian Standards.

This handrail storage rack allows sites to access replacement handrails quickly and easily, without waiting for freight.

Construction: Heavy-duty steel

Features:

- Heavy-duty hot dip galvanised finish
- All required signage incorporated
- Rack capacity: 3 complete sets
- Handrails not included
- Forklift slots



Part No. 5502978

TH551/i & TH663/i Handrail Storage Rack - Low-Folding Version

A designed and engineered storage solution to hold a full set of Sandvik TH663 handrails. Certified and compliant with Australian Standards.

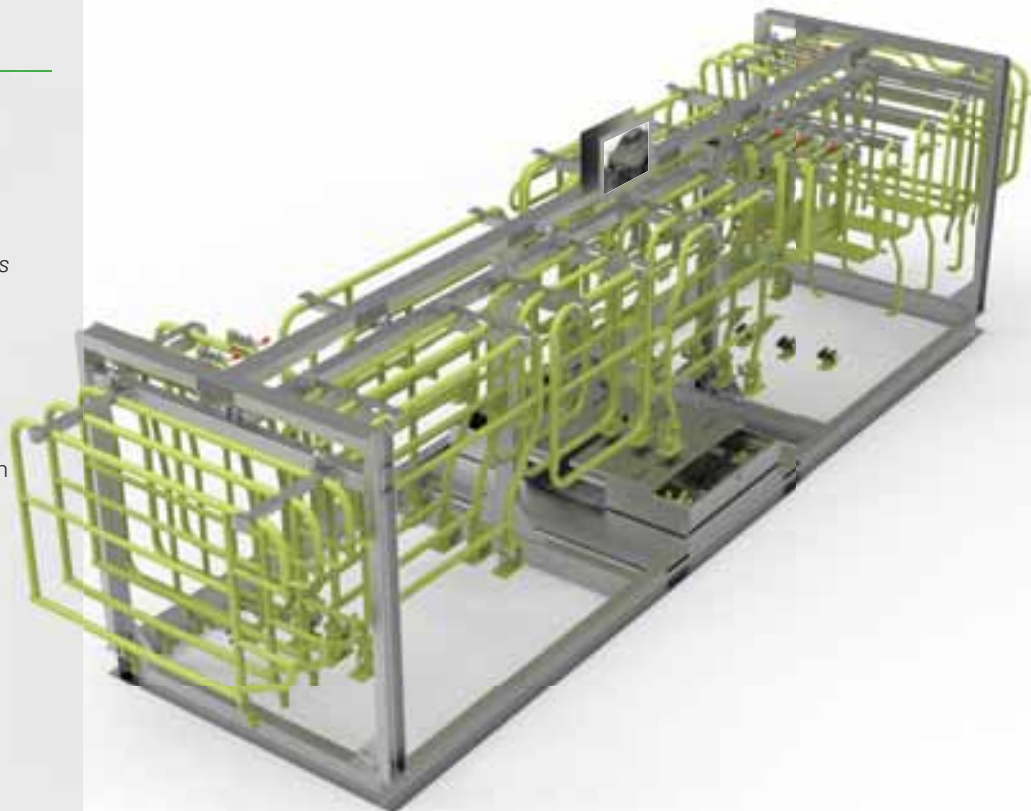
This handrail storage rack allows sites to access replacement handrails quickly and easily, without waiting for freight.

Construction: Heavy-duty steel

Features:

- Heavy-duty hot dip galvanised finish
- All required signage incorporated
- Rack capacity: 3 complete sets
- Handrails not included
- Lockable hinges
- Forklift slots

*Accommodates Rear Handrail Set



Part No. 5506108

Sandvik TH551 / i & TH663 / i

- Classic & iSeries



Sandvik TH551/i & TH663/i Handrail Storage Rack - Low-Folding Version

A designed and engineered storage solution to hold a full set of Sandvik TH663 handrails. Certified and compliant with Australian Standards.

This handrail storage rack allows sites to access replacement handrails quickly and easily, without waiting for freight.

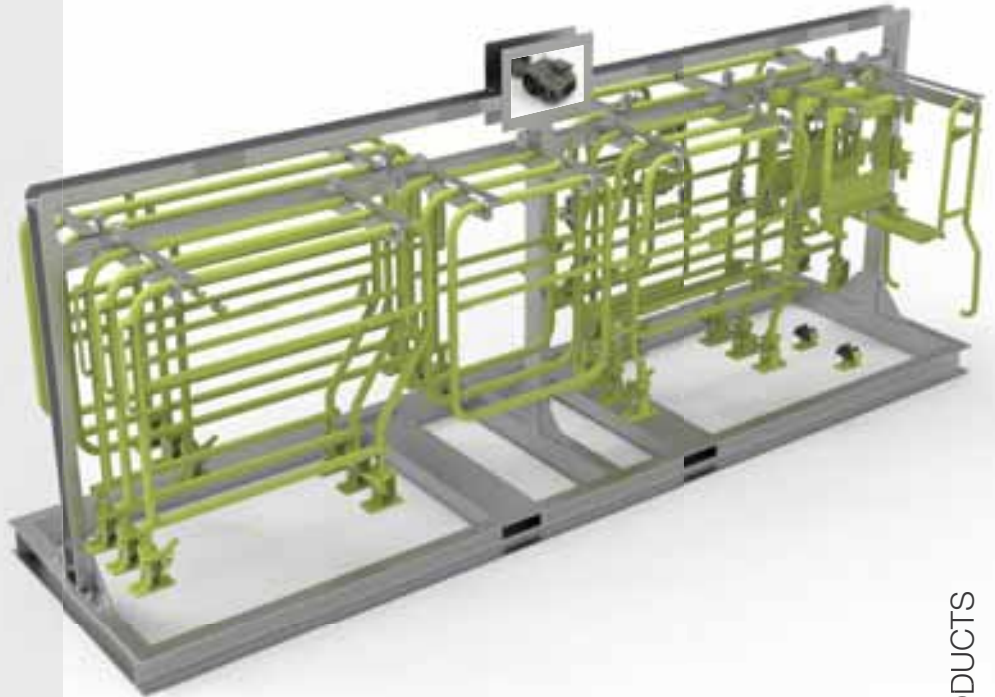
Construction: Heavy-duty steel

Features:

- Heavy-duty hot dip galvanised finish
- All required signage incorporated
- Rack capacity: 3 complete sets
- Handrails not included
- Lockable hinges
- Forklift slots

*Does Not Accommodate Rear Handrail
Rack capacity: 3 x handrails,
1 x ladder

Part No. 5504560



Sandvik TH551/i & TH663/i Fall Arrestor Kit

A solution to provide operators/fitters with a tethering kit which they could lock onto, while erecting the handrails on the machine.

Features:

- Tether kit is pre-rated to arrest the fall of an operator
- Tether mechanism locks when sudden movement is detected (e.g. losing balance), preventing tripping and/or falling from machine
- Uses existing bolts/fittings on the roof and engineered and certified brackets for the retractable fall arrest tethers to attach to

Includes:

- Carabiners
- Tether point
- Retractable fall arrest block

Part No. 5504909



Sandvik TH551 / i & TH663 / i

- Classic & iSeries



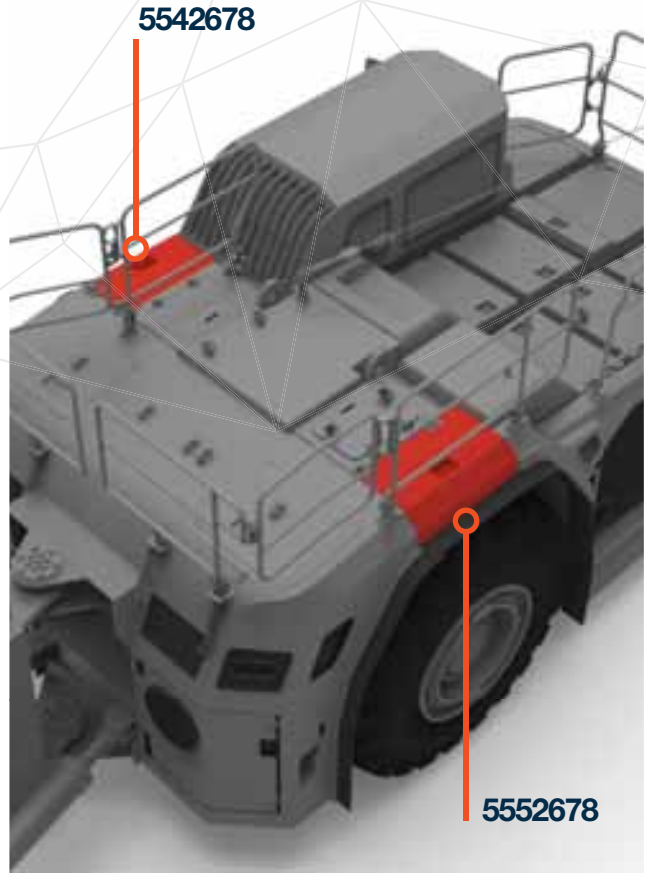
Mudguard LH 5542678

OEM No. 56207469



Mudguard RH 5552678

OEM No. 56207470



Sandvik TH663 Transmission Access Platform

A platform designed and engineered to provide safe and efficient access to the mid section of a Sandvik TH663 for maintenance and repairs. Certified and compliant with Australian Standards.

Construction: Heavy-duty aluminium

Features:

- Non-slip serrated grating for deck and stair treads
- Non-slip nosings on all stair treads
- Self-closing gates
- Removable handrails
- Heavy-duty castor wheels
- Fitted with jacking stands
- Forklift slots

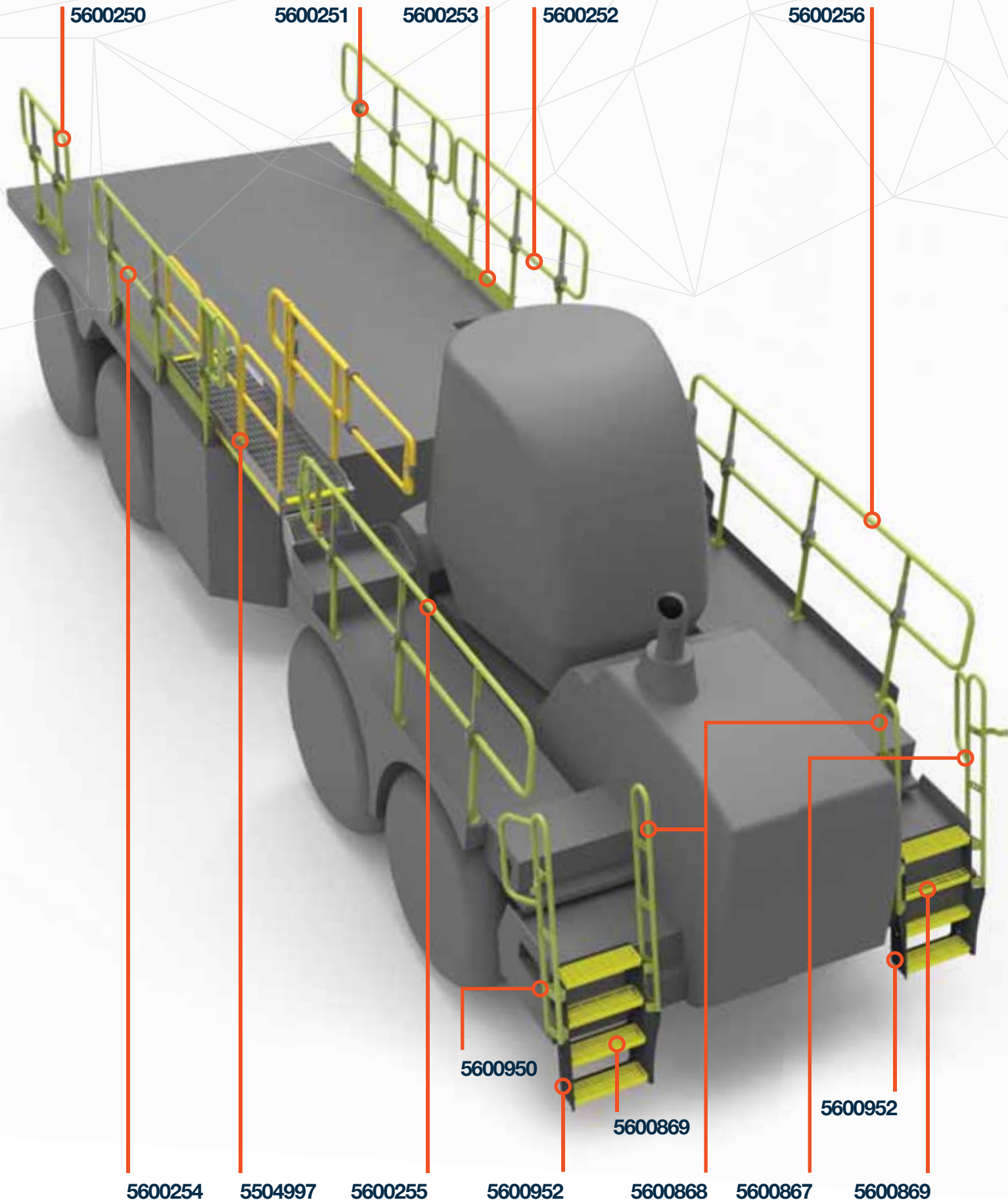


Part No. 5504061



Sandvik
RHINO R100H

Sandvik RHINO R100H

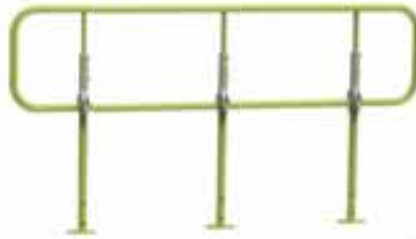


Sandvik RHINO R100H



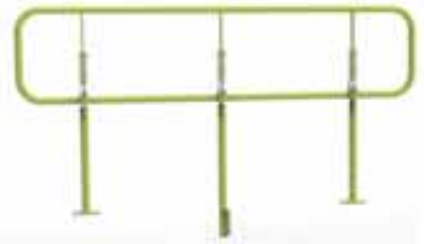
Handrail RH Rear 5600250

OEM No. 36920401



Handrail LH Rear 1 5600251

OEM No. 36920404



Handrail LH Rear 2 5600252

OEM No. 36920403



Kickplate for LH Rear Handrails 5600253



Handrail RH Middle 5600254

OEM No. 36920402



Handrail RH Front 5600255

OEM No. 36920406



Handrail LH Front 5600256

OEM No. 36920407



Handrail Replacement Post 5600617

OEM No's. BG36920401 and BG36920404



Handrail Replacement Post 5600618

OEM No's. BG36920404



Handrail Replacement Post 5600619

OEM No. BG36920402



Handrail Replacement Post 5600620

OEM No's. BG36920406 and BG36920407

UNDERGROUND MACHINE PRODUCTS



BEND-TECH

Sandvik RHINO R100H



5600950

**RH - Front Ladder
RH Handrail**

OEM No. 36932555

5600868

**RH - Front Ladder
LH Handrail**

OEM No. 369319286

5600868

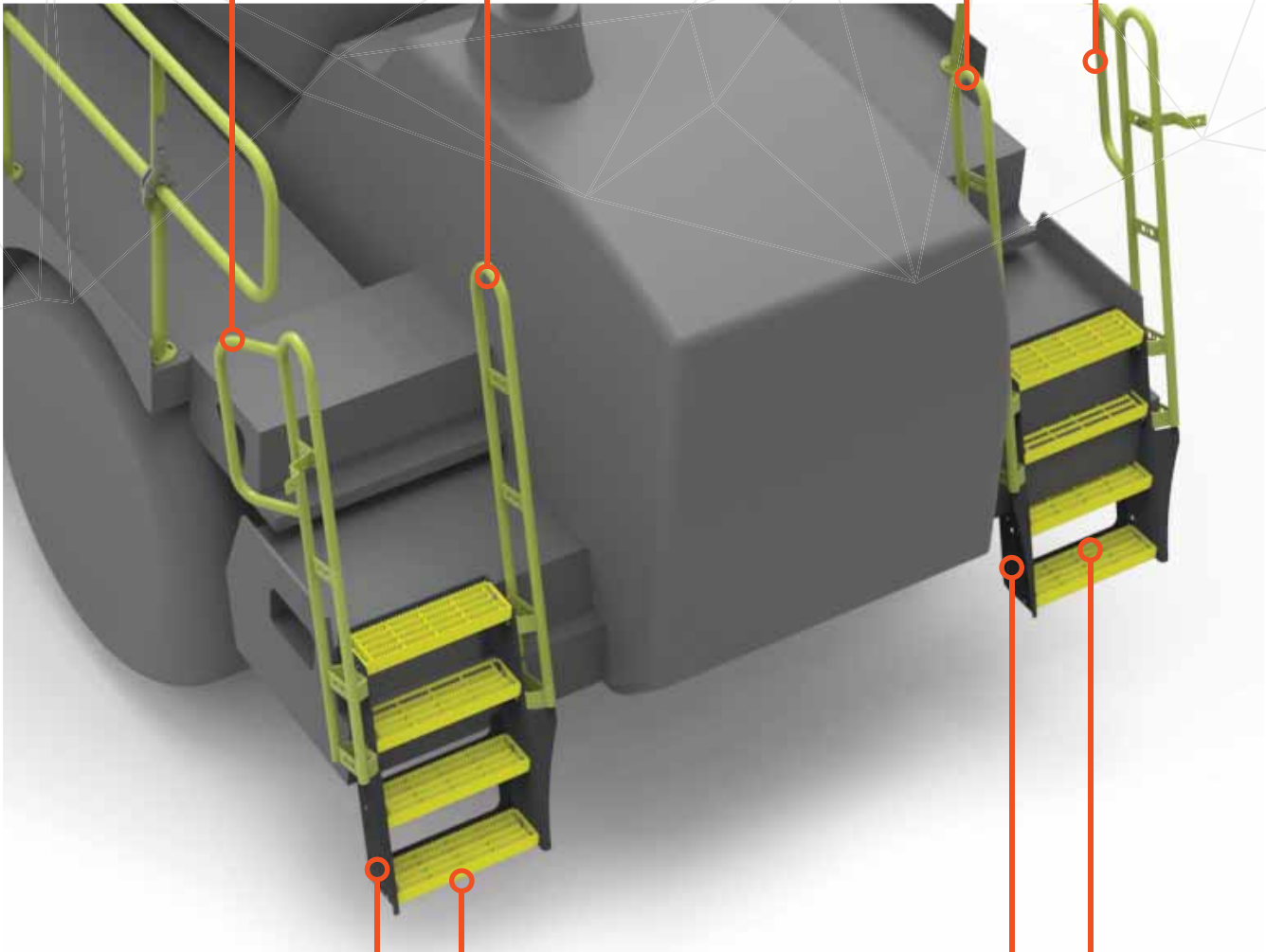
**LH - Front Ladder
RH Handrail**

OEM No. 36931928

5600867

**LH - Front Ladder
LH Handrail**

OEM No. 36932550



5600952

**LH - Front Ladder
Step Frame**

OEM NO. 36931929

5600869

**LH - Front Ladder
Ladder Steps**

OEM No. 36931916,
36940952

5600952

**LH - Front Ladder
Step Frame**

OEM NO. 36931929

5600869

**LH - Front Ladder
Ladder Steps**

OEM No. 36931916,
36940952

**LH - Front Ladder
Assembly 5600866**



**RH - Front Ladder
Assembly 5600951**



Sandvik RHINO R100H



Sandvik Rhino R100H Walkway and Steps

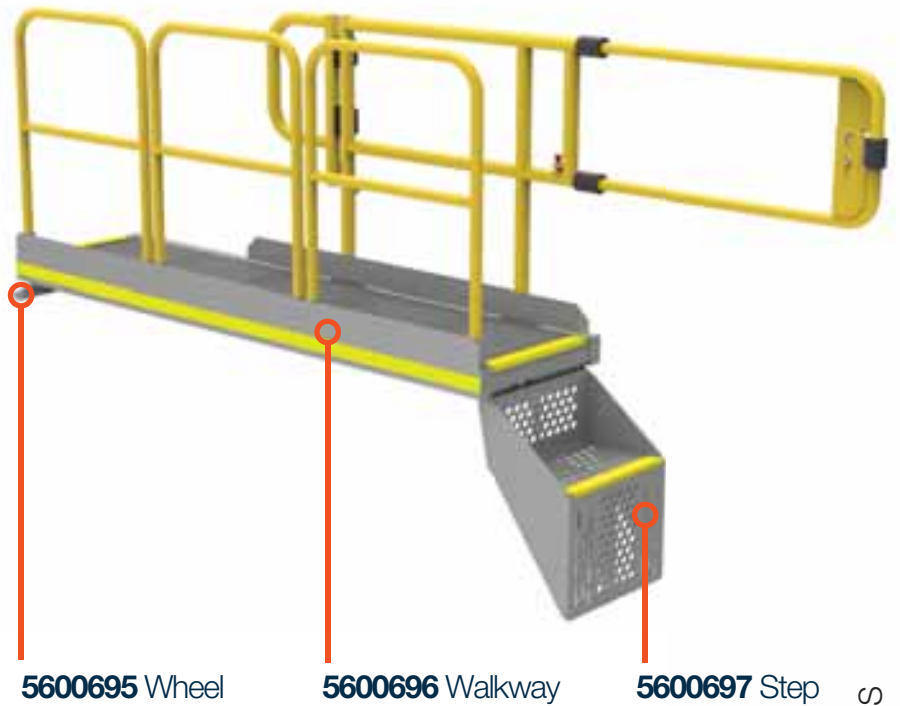
Access and walkway steps made to make maintenance safer and more efficient on the Sandvik Rhino R100H. Designed and built to withstand the harshest underground mining environments.

Construction: Heavy-duty lightweight aluminium

Features:

- Bolt-on handrail with self-closing gate
- Non-slip serrated grating and nosings
- Removable handrails on outer side
- Slide-out handrail

Part No. 5504997



5600695 Wheel

5600696 Walkway

5600697 Step



Swing Gate 5600820



Sandvik
DL421 DRILL

Sandvik DL421 DRILL



Hose Guide 5000038

OEM No. 55054734



Hose Guide Assembly 5000039

OEM No. 32821157



Hose Guide Assembly 5000041

OEM No. 35255508



Hose Guide 5000042

OEM No. 35239618



Hose Guide 5000043

OEM No. 35225658



LH Door Handrail 5000166

OEM No. 55201216



RH Door Handrail 5000167

OEM No. 55201213



LH Cab Handrail 5000168

OEM No. 55201214



RH Cab Handrail 5000169

OEM No. 55282506

“ Making maintenance on-site safe, efficient and easy ”



Sandvik
DD421 DRILL

Sandvik DD421 DRILL



RH Door Handrail 5000163

OEM No. 55182505



LH Outer Handrail 5000164

OEM No. 55182506



LH Door Handrail 5000162

OEM No. 55182538



RH Outer Handrail 5000165

OEM No. 55182506



**SANDVIK DD421-60 Handrail
5600822**



**SB40 Hydraulic Ram Clamp
- 200MM - 5000174**



**SB60 Hydraulic Ram Clamp
- 500MM - 5505799**

Features:

- Lightweight and easy to install
- Eliminates need for time consuming set-up of heavy support stands
- Certified and compliant with Australian Standards



**SB40 Hydraulic Ram Clamp
- 500MM - 5000175**



**SB40 Hydraulic Ram Clamp
- 350MM - 5600051**

Sandvik DD421 DRILL



Sandvik Jumbo Drill Jacking Leg Clamp

Construction: Heavy duty steel
WLL: 20 Tonne
Weight: 10kg

Features:

- Easy to install and lock into place
- Load rated handles for hoist install



Part No. 5503783



DD421 Windscreen Changeout Access Platform

Ideal for windscreen changeout, maintenance or inspection.

Construction: Heavy duty aluminium

WLL: 150kg

Features:

- Heavy-duty castor wheels
- Self-closing gate
- Removable end handrail
- Forklift slots



Part No. 5504201



Sandvik DD421 DRILL



Sandvik DD421 Drill Arm Stand

A certified stand which is positioned underneath the DD421 drill arm hydraulic swivel during maintenance to stop rolling when hydraulic pressure is released.

Construction: Heavy duty steel
WLL: 10T
Colour: Y-14 Safety Yellow

Features:

- Fitted with lifting lugs
- Adjustable cradle head
- Locking rod
- Forklift slots



Part No. 5505757



Sandvik DD421 Drill Arm Stand with Wheels

A stand which is positioned underneath the DD421 drill arm hydraulic swivel during maintenance to stop rolling when hydraulic pressure is released. Fitted with heavy-duty wheels for ease of movement.

Construction: Heavy duty steel
WLL: 10T
Colour: Y-14 Safety Yellow

Features:

- Lifting lugs x 2
- Adjustable cradle head
- Locking rod



Part No. 5507100





Sandvik
DD432i
/ DD422i

bendtechgroup.com.au

Bend-tech.
BIGGER THAN BUSINESS

Sandvik DD432i / DD422i



Cab Handrail LH 5600844

OEM No. BG01153141



Cab Handrail RH 5600837

OEM No. BG01153141



Door Handrail LH 5600845



Door Handrail RH 5600838

“ Making maintenance on-site safe, efficient and easy ”



Volvo
L120F

Volvo L120F

Certified / Compliant
with AUS Standards



Volvo L120F Access Ladder and Handrails

An OEM replacement access ladder and step designed and engineered to provide safe entry to the Volvo L120F

Construction: Heavy-duty aluminium

Features:

- Non-slip checkerplate treads
- Full bolt-on mid-folding design
- Hi-spec surface treatment finish in Volvo yellow over a primary zinc coating for enhanced protection



Part No. 5504998



Volvo L120F Mudguard Mounted Handrails

A comprehensive set of handrails designed and engineered to provide fall protection on the Volvo L120F wheel loader.

Construction: Heavy-duty aluminium

Features:

- Full bolt-on mid-folding design
- Hi-spec surface treatment finish in Volvo yellow over a primary zinc coating for enhanced protection

Part No. 5504271



Volvo L120F Windscreen Changeout Platform

A platform designed and engineered to provide safe and efficient access to the windscreen of the Volvo L120F wheel loader. Ideal for windscreen changeout, maintenance or inspection. Certified and compliant with Australian Standards.

Construction: Heavy-duty aluminium

Features:

- LH and RH platform configuration
- Non-slip serrated grating for deck and stair treads
- Non-slip nosings
- Heavy-duty castor wheels
- Latch system included to attach two platforms to each other
- Self-closing gates

Part No. 5504108



Volvo L120F Access Platform

A platform set designed and engineered to provide safe and efficient access to the Volvo L120F wheel loader for maintenance and inspection. Certified and compliant with Australian Standards.

Construction: Heavy-duty aluminium

Features:

- LH and RH platform configuration for easy access on both sides of the loader
- Non-slip stairway and work area
- Safety handrails
- Heavy-duty castor wheels
- Overhangs for easy access
- Easy to move around the workshop while the loader is serviced

Part No. 5501968



A yellow Elphinstone WR810 Water Cannon is shown in a quarry setting. The machine is a large, heavy-duty vehicle with a black cab and a yellow body. The text 'WR810' and 'WATER CANNON' is visible on the side of the cab. The background shows a rocky quarry face under a clear blue sky. The image is overlaid with a white geometric pattern of lines and a grey arrow pointing towards the bottom right.

Elphinstone WR810 Water Cannon

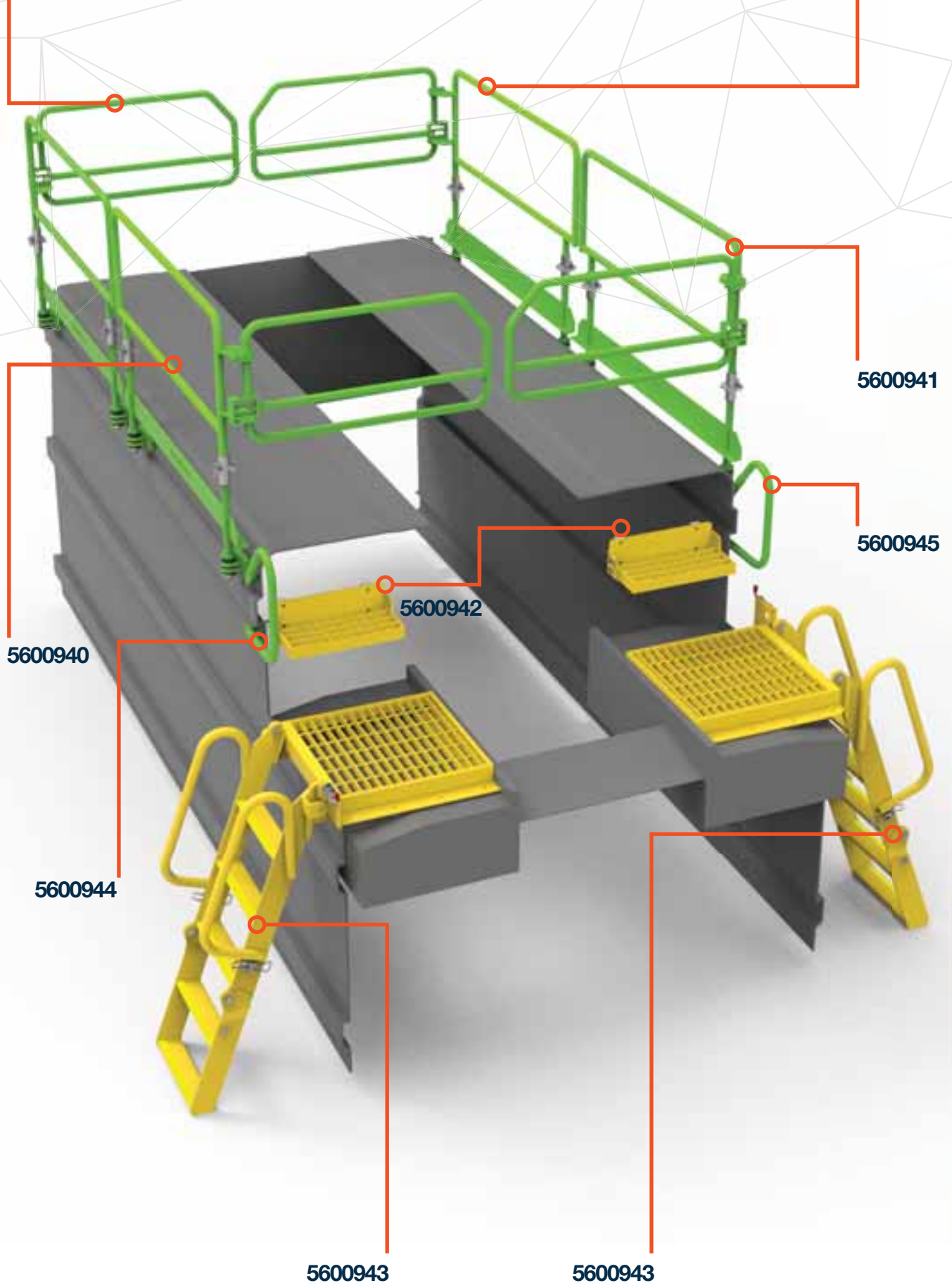
ELPHINSTONE

WR810
WATER CANNON

Elphinstone WR810 Water Cannon

5600940

5600940



Elphinstone WR810 Water Cannon



Handrail FR / RL 5600940

(2 Required)

Handrail FL / RR 5600941

(2 Required)



Folding Step 5600942

(2 Required)



Ladder 5600943

(2 Required)



Handrail LHS 5600944



Handrail RHS 5600945

UNDERGROUND MACHINE PRODUCTS



BEND-TECH



Height Adjustable Platforms

Monkey
MX21

Wt. 250kg / 551 lbs

www.apoptec.com

Giraffe G20

Certified / Compliant
with AUS Standards



Giraffe G20

Platform height range:

1580mm – 2930mm (225mm increments)

WLL: 300kg
Unit tare weight: 780kg
Overall width: 1456mm
Overall length: 4495mm
Platform width: 780mm
Platform length: 1786mm

Part No. 5800500



Giraffe G20 + 1 STEP

Platform height range:

1800mm – 3150mm (225mm increments)

WLL: 300kg
Overall width: 1456mm
Overall length: 4750mm
Platform width: 780mm
Platform length: 1786mm

Part No. 5800502



Giraffe G20 + 2 STEP

Platform height range:

2000mm – 3300mm (225mm increments)

WLL: 300kg
Overall width: 1456mm
Overall length: 4945mm
Platform width: 780mm
Platform length: 1786mm

Part No. 5800503



Giraffe G20

Giraffe G20 + 4 STEP

Platform height range:

2400mm – 3800mm (225mm increments)

WLL: 300kg
Overall width: 1900mm
Overall length: 5395mm
Platform width: 780mm
Platform length: 1786mm

Part No. 5800504



Giraffe G20 + 8 STEP

Platform height range:

3300mm – 4700mm (225mm increments)

WLL: 300kg
Overall width: 2500mm
Overall length: 7270mm
Platform width: 780mm
Platform length: 1786mm

Part No. 5800502



OPTIONAL FEATURES



Slide out deck 5800506



Hammerhead deck 5800507



Angled deck 5800508

Monkey MX21

Certified / Compliant
with AUS Standards



Monkey MX21

Platform height range:

1255mm – 2505mm (250mm increments)

WLL: 250kg
Unit tare weight: 230kg
Overall width: 1032mm
Overall length: 2242mm
Platform width: 642mm
Platform length: 1041mm

*This unit does not come stocked with a wheel kit,
please ensure you select one in the form.*

Part No. 5600543



Monkey MX21 with Go-Base

Platform height range:

1500mm – 2750mm (250mm increments)

WLL: 250kg
Overall width: 1177mm
Overall length: 2242mm
Platform width: 642mm
Platform length: 1041mm

Part No. 5600546



OPTIONAL FEATURES



Go-Base Chassis 5600559



All Terrain Kit 5600547



4 Step Sub Chassis 5600548



Extended Cantilever Kit 5600549



Hydraulic Kit 5600550

Squirrel Series

VRSQ-14 and VRSQ-17

The VRS Squirrel Series brings the safety and efficiency of the VRS platform series, right down to the smaller tasks in building and maintenance in many industries.

It has excellent manoeuvrability and is fully height adjustable, which has made it the platform of choice for tradesmen on building sites, right through to maintenance workers in oil refineries.



VRSQ-14

Platform height range:

720mm to 1440mm (250mm increments)

WLL:	180kg
Overall width (flap feet out):	776mm
Overall width (flap feet in):	644mm
Overall length:	1090mm
Platform width:	510mm
Platform length:	565mm

VRSQ-17 (with GO Base)

Platform height range:

950mm to 1600mm (250mm increments)

WLL:	180kg
Overall width:	1050mm
Overall length:	1200mm
Platform width:	510mm
Platform length:	565mm

1 Safety bar at the rear of the platform stays out of the way for climbing on or off the deck and clips on easily behind the user



2 Easy pull trigger rod gives a positive lock at each of the four deck heights



3 Easy loading with strong 'tie-down' points



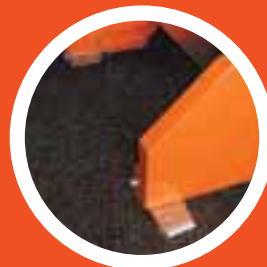
4 Quick to shift around the site with the integral carry handles.



5 Very Light and very strong thanks to the effective design and the predominantly aluminium structure.



6 A unique 'flip feet' provide extra stability when the deck is in use, but flip conveniently out of the way when you need to get through a narrow gap.



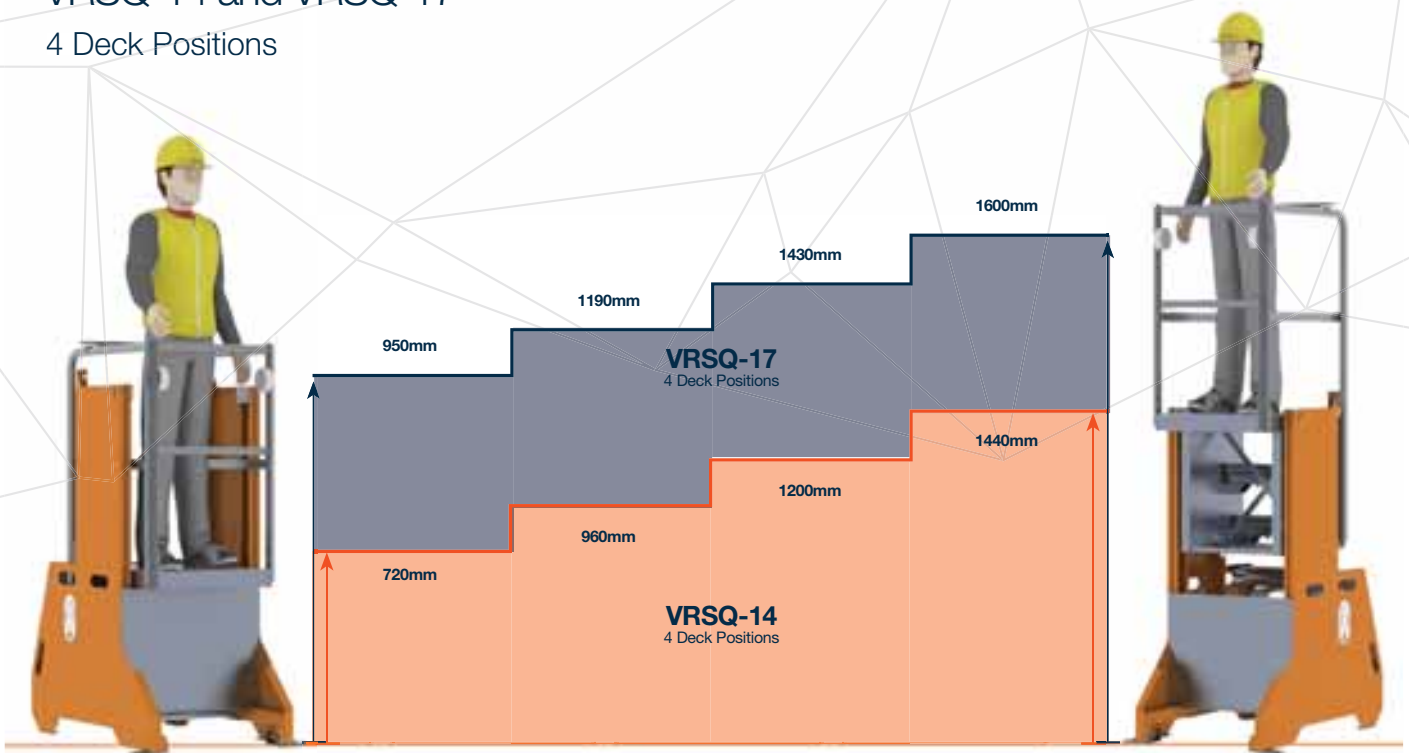
7 Simple to move just tilt until wheels engage and then push around



Squirrel Series

VRSQ-14 and VRSQ-17

4 Deck Positions



Lowest Position

Highest Position



The VRS Squirrel with GO Base enables the operator to wheel the platform on all 4 wheels.

“ SAFE,
EFFICIENT
ACCESS
AT ALL
LEVELS ”



Contact

PERTH: 08 9459 8600

ADELAIDE: 08 8231 1513

DARWIN: 08 8963 5621

KALGOORLIE: 08 9021 8300

NEWMAN: 08 9175 1164

MOUNT ISA: 07 4743 6458

sales@bendtechgroup.com.au

bendtechgroup.com.au

All manufacturers names, numbers, symbols,
photos and description are for reference
purpose only and do not imply that parts
listed are products of the manufacturers